

► Our technology. Your success.

Pumps - Valves - Service



SISTO-16TWA – without dead volume and with diaphragm SISTOMaXX



SISTO

SISTO-16TWA



BELGAQUA



ÖSTERREICHISCHE VEREINIGUNG
FÜR DAS GAS- UND WASSERFACH



Applications:

Drinking water, particularly
drinking water installations
to DIN 1988
Service water
Water containing chlorine
Seawater

More information:

www.ksb.com/products

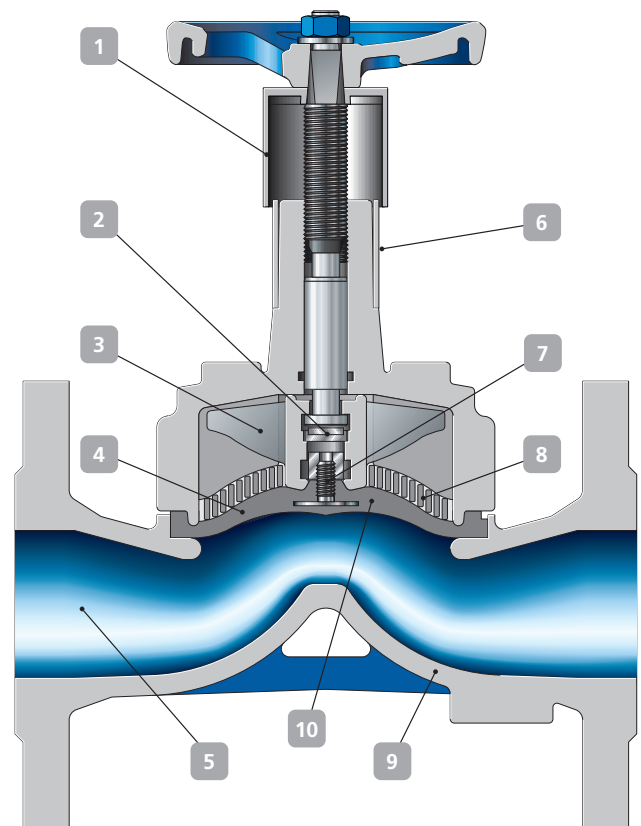


SISTO-16RGAMaXX

Your contact:

SISTO-16TWA – without dead volume, with stainless steel body and diaphragm SISTOMaXX

- 1 Optimised long-term operation**
The position indicator with integrated stem protection prevents ingress of contamination
- 2 Smooth actuation**
The thrust bearing minimises closing torques
- 3 High operating reliability**
The stem and all internal operating elements are not in contact with the fluid
- 4 Reliable sealing to atmosphere and absolutely tight shut-off**
The specially enclosed diaphragm provides absolutely tight shut-off as well as hermetic sealing to atmosphere and of all operating elements
- 5 Fluid purity**
The valve's design without dead volumes ensures optimum conditions for high-purity fluids and prevents deposits
- 6 Quick identification of valve position**
The valve's position can be easily identified via a clear visual indicator, also visible from a distance
- 7 High functional reliability**
Increased functional reliability of the diaphragm thanks to balanced diaphragm suspension
- 8 Maximum service life and pressure limit**
Maximised diaphragm life and pressure limit thanks to completely enclosed, spiral-supported diaphragm



- 9 Material suitable for drinking water**
The valve body out of stainless steel perfectly meets the requirements for drinking water
- 10 Future proof – Fit for 2022**
The diaphragm material SISTOMaXX conforms to the elastomer guideline

Materials

Body	Stainless Steel
Bonnet	Cast / Plastic
Diaphragm	SISTOMaXX (EPDM W270)
Handwheel	Cast / Plastic

Technical Data

Nominal diameter	15 – 200
Nominal pressure	Up to 16 bar
Temperature range	-10 °C to +90 °C



KSB SE & Co. KGaA
Johann-Klein-Straße 9
67227 Frankenthal (Germany)
www.ksb.com