

# Diaphragm Valve

## SISTO-20

PN 16  
DN 15-300

### Type Series Booklet



## **Legal information/Copyright**

Type Series Booklet SISTO-20

All rights reserved. The contents provided herein must neither be distributed, copied, reproduced, edited or processed for any other purpose, nor otherwise transmitted, published or made available to a third party without the manufacturer's express written consent.

Subject to technical modification without prior notice.

© SISTO Armaturen S.A., Echternach, Luxemburg 11/03/2021

**Contents**

**Diaphragm Valves..... 4**

Diaphragm Valves – No Dead Volume, Soft-seated, Glandless..... 4

    SISTO-20..... 4

        Main applications..... 4

        Fluids handled ..... 4

        Operating data..... 4

        Valve body materials..... 5

        Design details ..... 5

        Product benefits..... 6

        Product information ..... 8

        Related documents ..... 8

        Purchase order specifications ..... 8

        Flow coefficients ..... 8

        Pressure/temperature ratings..... 9

        Materials..... 10

        Variants..... 14

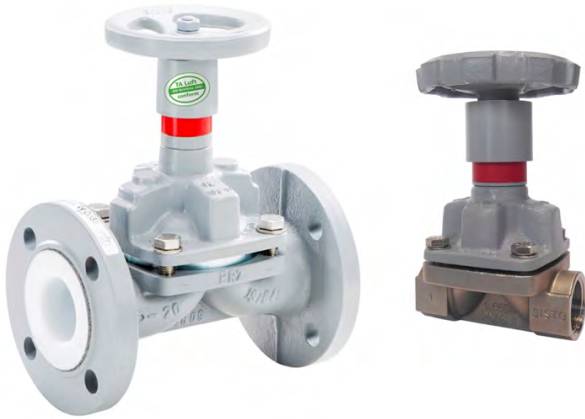
        Dimensions and weights..... 18

        Technical data ..... 25

## Diaphragm Valves

### Diaphragm Valves – No Dead Volume, Soft-seated, Glandless

## SISTO-20



#### Main applications

- Mining
- General irrigation systems
- Chemical industry
- Homogenisation
- Industry/process engineering
- Industrial recirculation systems
- Waste water treatment plants
- Air-conditioning systems
- Condensate transport
- Power stations
- Paint shops
- Seawater desalination/reverse osmosis
- Mining
- Paper industry / pulp industry
- Petrochemical industry
- Refinery
- Flue gas desulphurisation
- Shipbuilding
- Swimming pools
- Process engineering
- Heat recovery systems
- Hot-water heating systems

- Water treatment
- Water extraction

#### Fluids handled

- Waste water without faeces
- Aggressive fluids
- Inorganic fluids
- Brackish water
- Service water
- Steam
- Distillate
- Paints and varnishes
- River water, lake water and groundwater
- Gas
- Fluids posing a health hazard
- Toxic fluids
- High-temperature hot water
- Highly aggressive fluids
- Condensate
- Corrosive fluids
- Fuels
- Cooling water
- Volatile fluids
- Solvents
- Seawater
- Fluids containing mineral oils
- Oil
- Organic fluids
- Cleaning agents
- Lubricants
- Brine
- Dipping paints
- Drinking water
- Wash water
- Other fluids on request.

#### Operating data

##### Operating properties

Characteristic	Value
Nominal pressure	PN 16 <sup>1)</sup>
Nominal size	DN 15 - 300
Max. permissible pressure [bar]	16 <sup>2)</sup>
Min. permissible temperature [°C] <sup>3)</sup>	≥ -20
Max. permissible temperature [°C] <sup>3)</sup>	≤ +160

<sup>1</sup> DN 250 - 300 = PN 10

<sup>2</sup> DN 250 - 300 = 10 bar

<sup>3</sup> The temperatures indicated are for orientation only; they are not valid for all operating conditions.

### SISTO-LAD diaphragm actuator

- Max. permissible control medium temperature: 80 °C
- Permissible control pressure: 4 - 6 bar

### SISTO-LAP piston actuator

- Max. permissible control medium temperature: 80 °C

Permissible control pressure

Piston diameter	Actuator flange DIN ISO 5210 / DIN 3358	Permissible control pressure P <sub>ctr. perm.</sub>
[mm]		[bar]
80 - 250	F10	5,5 - 10
250	F14	5,5 - 10
300	F10	5,5 - 7
300	F14	5,5 - 10
D250 <sup>4)</sup>	F14	5,5 - 10
D300 <sup>4)</sup>	F14	5,5 - 7

Pneumatic actuators from SISTO are suitable for compressed air of purity class 5:4:4 in accordance with ISO 8573-1. If there is a risk of frost, purity class 5:3:4 must be applied to prevent damage caused by icing.

### Valve body materials

Overview of available materials

Material	Material number	ASTM <sup>5)</sup>	Temperature limit
EN-GJS-400-18U-LT (GGG40.3)	5.3103	A536 Gr. 60-40-18	-20 °C to +160 °C
GP240GH	1.0619	A757 Gr. A1Q (UNS J03002)	-20 °C to +160 °C
GX2CrNiMo19-11-2	1.4409	A351 Gr. CF3M (UNS J92800)	-20 °C to +160 °C

Model with flanged ends DN 15 - 300

Model with threaded socket ends DN 15 - 80

Model with socket weld ends DN 15 - 80

### Design details

#### Design

- Models with flanged ends, threaded socket ends or socket weld ends
- Soft-seated shut-off valve in straight-way pattern
- Rising handwheel
- Shut-off and sealing to atmosphere by spiral-supported, completely enclosed diaphragm.  
DN 250 and above: spiral-supported design only
- Position indicator with integrated stem protection
- Manufactured and tested to EN 13397
- Marked in accordance with DIN EN 19 (ISO 5209)
- Version in compliance with TA-Luft (German Clean Air Act) to VDI 2440 for DN 15 - 200

- Body lined with PTFE, temperature limit: +160 °C, up to DN 200
- Body lined with TFM; temperature limit: +160 °C, up to DN 200
- Body coated with ECTFE (Halar), temperature limit: +90 °C
- Body coated with ETFE DN 250 - 300, temperature limit: +150 °C
- Body coated with PA (Rilsan), temperature limit: +60 °C
- Chain wheel
- Leakage detection hole and additional stem seal for DN 15 - 200
- Diaphragm made of CSM, temperature limit: +80 °C
- Diaphragm made of EPDM, temperature limit: +140 °C
- Diaphragm made of SISTOMaXX (EPDM/W270), temperature limit: +90 °C
- Diaphragm made of EPDM-V (vacuum), temperature limit: +140 °C
- Diaphragm made of FKM, temperature limit: +120 °C<sup>6)</sup>
- Diaphragm made of IIR, temperature limit: +120 °C
- Diaphragm made of NBR, temperature limit: +90 °C
- Two-piece diaphragm made of TFM/EPDM, temperature limit: +160 °C<sup>7)</sup>

#### Variants

- Actuator (electric or pneumatic)
- Limit switches
- Locking device
- Body lined with IIR (butyl), temperature limit: +120 °C
- Body lined with NRH (hard rubber), temperature limit: +100 °C
- Body lined with PFA (DN 15 only), temperature limit: +160 °C
- Body lined with PTFE (anti-static), temperature limit: +160 °C, up to DN 200

<sup>4</sup> Double piston

<sup>5</sup> ASTM materials similar to the materials indicated

<sup>6</sup> From DN 20

<sup>7</sup> DN 250 - 300: max. operating pressure 6 bar

- Three-piece diaphragm made of TFM/PVDF/EPDM, temperature limit: +160 °C<sup>8)</sup>
- Lead-sealable cap (prevents unauthorised actuation)
- Stem extension
- Certification to customer specification

## Overview of variants

Overview of SISTO-20 variants

DN	Body material	Bonnet material		Lining				Coating	
		Standard	Optional	None	PTFE/TFM	IIR	NRH	PA (Rilsan)	ECTFE (Halar)
15	1.0619	1.0619	-	-	PFA	-	x	-	-
15	5.3103	1.0619	-	x	-	-	-	x	x
15 - 20	1.4409	1.0619	1.4409	x	-	-	-	x	x
20 - 300	5.3103	5.3103	-	x	x <sup>9)</sup>	x	x	x	x
25 - 200	1.4409	5.3103	1.4409	x	-	-	-	x	x

## Actuators

### SISTO-LAD diaphragm actuator

- Sliding stem sealed by O-rings
- Mechanical travel stops in the actuator for closed position and open position
- Manual override available as standard for spring-to-close design
- Leakage detection hole from MD 65

### Actuator function

- Actuator type LAD-AZ
  - Air-to-open
  - Air-to-close
- Actuator type LAD-OF
  - Spring-to-open
  - Air-to-close
- Actuator type LAD-SF
  - Air-to-open
  - Spring-to-close

### SISTO-LAP piston actuator

- Double-acting piston, piston rod extending from one end only, with or without spring
- Piston rod sealed by U-ring and scraper ring
- Piston with double cup seal and vulcanised metal disc
- Mechanical travel stops in the actuator for closed position and open position
- Flanges to DIN ISO 5210/DIN 3358
- Piston diameters 80 to 300 = F10
- Piston diameters 250 to 300 = F14
- Leakage detection hole from MD 65 with screw (can be plugged)

## Actuator function

- Actuator type LAP-AZ
  - Air-to-open
  - Air-to-close
- Actuator type LAP-OF
  - Spring-to-open
  - Air-to-close
- Actuator type LAP-SF
  - Air-to-open
  - Spring-to-close

## Electric actuator

- Multi-turn actuator
- Linear actuator

## Product benefits

- **Reliable sealing to atmosphere and absolutely tight shut-off**  
The diaphragm provides absolutely tight shut-off as well as hermetic sealing to atmosphere and of all operating elements.
- **Maximum service life and pressure limit**  
Maximised diaphragm life and pressure limit thanks to completely enclosed, spiral-supported diaphragm.
- **Excellent functional reliability**  
Increased functional reliability of the diaphragm thanks to balanced diaphragm suspension.
- **Excellent resistance to corrosion and abrasion**  
High-quality body materials and linings offer reliability and a long service life.
- **Smooth actuation**  
The thrust bearing minimises the closing torques.
- **Optimised long-term operation**  
The stem protection integrated in the position indicator prevents ingress of contaminants.
- **Fluid purity**  
Valve hydraulics without dead volume ensure optimum conditions for high-purity fluids and protection against deposits.
- **Quick identification of valve position**

<sup>8)</sup> DN 250 - 300: max. operating pressure 6 bar

<sup>9)</sup> DN 250 - 300 = ETFE

The valve's position can be easily identified via a clear visual indicator, also visible from a distance.

- **Reliable operation**

The stem and all internal operating elements are **not** in contact with the fluid.

**Product information**

**Product information as per Regulation No. 1907/2006 (REACH)**

For information as per chemicals Regulation (EC) No. 1907/2006 (REACH), see <http://www.ksb.com/reach>.

**Product information as per Pressure Equipment Directive 2014/68/EU (PED)**

The valves satisfy the safety requirements of Annex I of the European Pressure Equipment Directive 2014/68/EU (PED) for fluids in Groups 1 and 2.

**Product information as per Directive 2014/34/EU (ATEX)**

Valves without electrical components do not have a potential internal source of ignition and can be used in potentially explosive atmospheres, Group II, category 1 (zones 0+20), category 2 (zones 1+21) and category 3 (zones 2+22) to ATEX 2014/34/EU. Components such as electric actuators, position switches, block terminals, solenoid valves, etc. may in certain circumstances be covered by Article 1 of Directive 2014/34/EU. They must be subjected to a conformity assessment procedure and separate evidence of compliance must be provided (e.g. EC Declaration of Conformity or manufacturer's declaration).

**Related documents**

Information/documents

Document	Reference number
Operating manual	0570.821
Type series booklet SISTO-LAD (diaphragm actuator)	9211.1
Type series booklet SISTO-LAP (piston actuator)	9210.1
Engineering information SISTO-20	8643.030

**Purchase order specifications**

Please specify the following information in all enquiries or purchase orders:

Valve

1. Type
2. Nominal pressure
3. Nominal size
4. Operating pressure
5. Differential pressure
6. Operating temperature
7. Fluid handled
8. Pipe connection
9. Variants
10. Number of type series booklet
11. Certificate

Actuator

1. Type
2. Control pressure  $P_{ctr}$
3. Accessories

**Flow coefficients**

Flow coefficients for unlined valves with flanged ends (Materials: 5.3103/1.0619)

DN	MD <sup>10</sup> [mm]	Kvs value [m <sup>3</sup> /h]
15	40	4
20	65	11,5
25	65	14
32	92	35
40	92	43
50	115	72
65	168	141
80	168	195
100	202	304
125	202	298
150	280	601
200	280	478
250	415	1166
300	415	1260

Flow coefficients for unlined valves with flanged ends (Material: 1.4409)

DN	MD <sup>10</sup> [mm]	Kvs value [m <sup>3</sup> /h]
15	40	7,5
20	40	8
25	65	29
32	65	30
40	65	31
50	92	85
65	115	140
80	168	270
100	168	285
125	202	298
150	280	601
200	280	478

Flow coefficients for unlined valves with threaded socket ends

DN	MD <sup>10</sup> [mm]	Kvs value [m <sup>3</sup> /h]
15	40	7,6
20	40	7,4
25	65	28,3
32	65	29
40	65	28
50	92	66,5
65	115	114
80	168	234

<sup>10</sup> MD = diaphragm diameter



### Pressure/temperature ratings

Permissible operating pressure [bar]

PN	Material		[°C]							
	Designation	Number	-20 to +50	+100	+110	+120	+130	+140	+150	+160
16	EN-GJS-400-18-LT	5.3103	16,0	16,0	16,0	16,0	15,8	15,6	14,0	12,0
	GP240GH	1.0619	16,0	14,8	14,6	14,4	14,3	14,1	14,0	12,0
	GX2CrNiMo19-11-2	1.4409	16,0	15,1	14,8	14,5	14,2	13,9	13,7	12,0
10 <sup>11)</sup>	EN-GJS-400-18-LT	5.3103	10,0	10,0	10,0	10,0	9,9	9,8	9,0	8,0

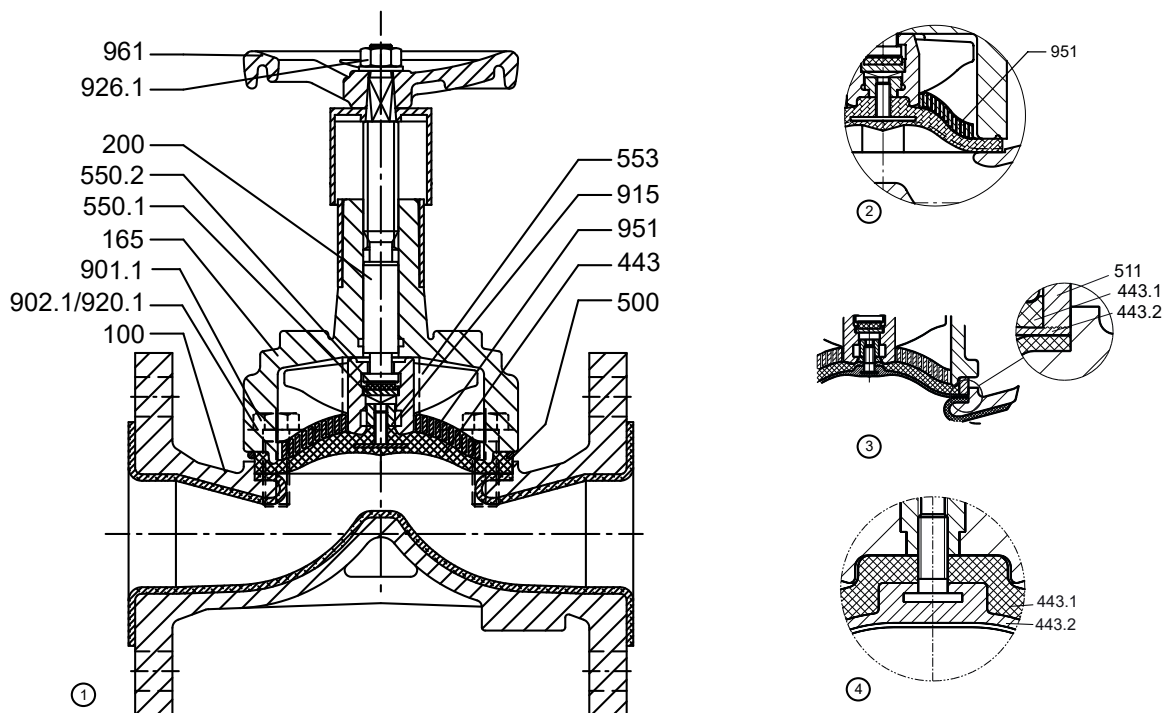
If a combination of different pressure enclosure materials is used, the respectively lowest permissible operating pressure shall apply.

---

<sup>11</sup> DN 250 - 300

**Materials**

**Materials of SISTO-20 manually operated valve with flanged ends**



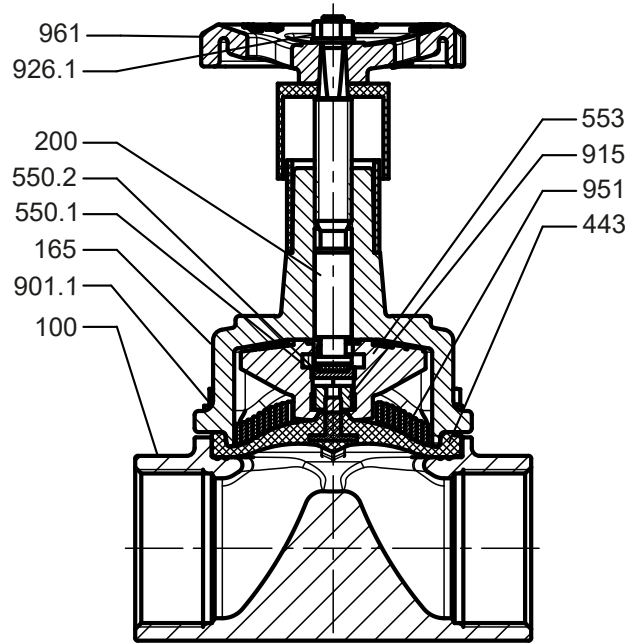
1	SISTO-20 manually operated valve with flanged ends	2	SISTO-20 manually operated valve with flanged ends, DN 250 - 300
3	Variant with 2-piece diaphragm, DN 15 - 200	4	Variant with 2-piece diaphragm, DN 250 - 300

**Parts list**

Part No.	Description	MD	Material	Material number	Note
100	Body	40	GP240GH	1.0619	-
		65 - 415	EN-GJS-400-18-LT	5.3103	-
165	Bonnet	40	GP240GH	1.0619	-
		65 - 415	EN-GJS-400-18-LT	5.3103	-
200	Stem	40 - 415	X14CrMoS17	1.4104	-
443 <sup>12)</sup>	Diaphragm	40 - 415	EPDM	-	Standard
443.1 <sup>12)</sup>	Backing diaphragm	40 - 415	EPDM	-	-
443.2 <sup>12)</sup>	Diaphragm	40 - 415	TFM	-	-
500	Ring	40 - 280	Galvanised steel	-	-
511	Backing ring	40 - 280	Steel	-	-
550.1	Bearing disc	92 - 415	Steel	-	-
550.2	PTFE disc	40, 92 - 415	PTFE/graphite	-	-
553	Compressor	40 - 65	GP240GH	1.0619	-
		92 - 280	EN-GJS-400-15	5.3106	-
		415	EN-GJL-250	5.1301	-
901.1	Hexagon head bolt	40-280	A2	-	-
902.1	Stud	415	A2	-	-
915	Floating nut	40 - 415	Steel	-	-
920.1	Nut	415	A2	-	-
926.1	Prevailing torque nut	40 - 415	A2	-	-
951	Support spiral	65 - 415	Steel	-	-
961	Handwheel	40	Plastic	-	-
		65 - 415	EN-GJL-200	5.1300	-

<sup>12)</sup> Recommended spare parts

**Materials of SISTO-20 manually operated valve with threaded socket ends**



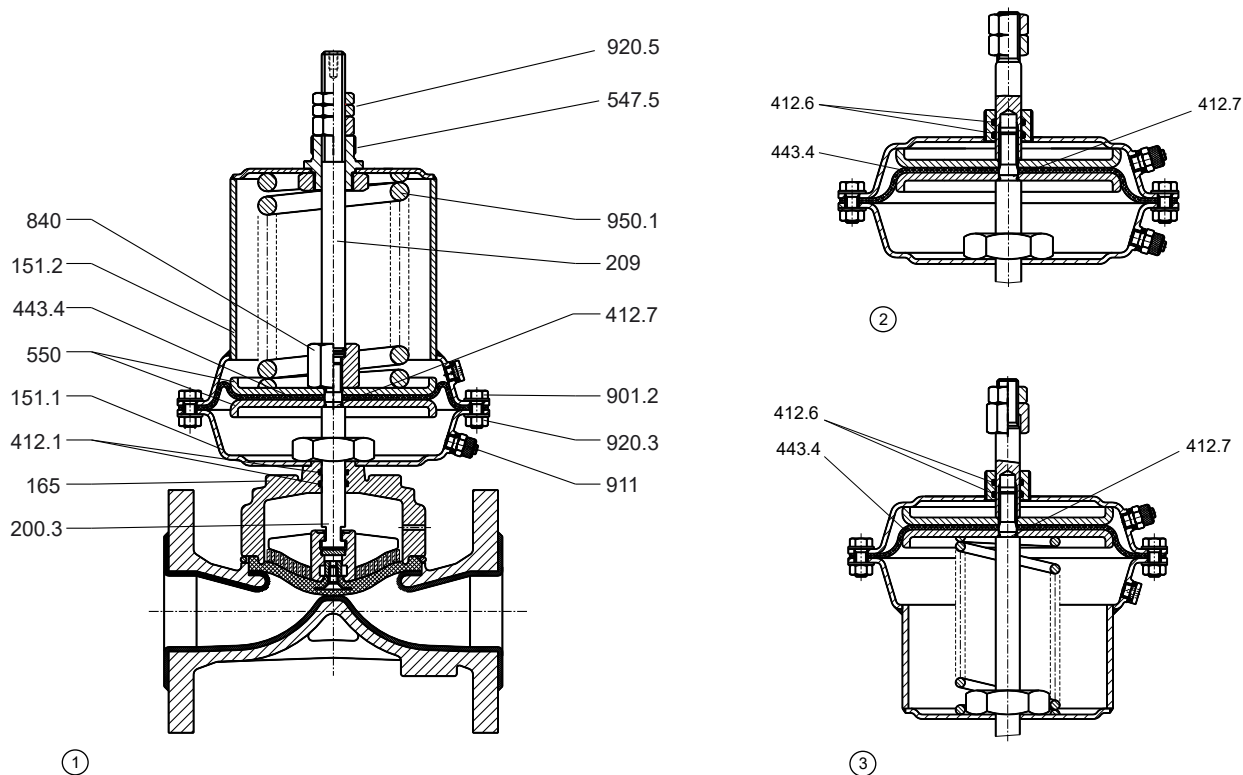
SISTO-20 manually operated valve with threaded socket ends, DN 15 - 80

Parts list

Part No.	Description	MD	Material	Material number	Note
100	Body	40 - 168	GX2CrNiMo19-11-2	1.4409	-
165	Bonnet	40	GP240GH	1.0619	-
		65 - 168	EN-GJS-400-18-LT	5.3103	-
200	Stem	40 - 168	X14CrMoS17	1.4104	-
443 <sup>13)</sup>	Diaphragm	40 - 168	EPDM	-	Standard
550.1	Bearing disc	92 - 168	Steel	-	-
550.2	PTFE disc	40, 92 - 168	PTFE/graphite	-	-
553	Compressor	40 - 65	GP240GH	1.0619	-
		92 - 168	EN-GJS-400-15	5.3106	-
901.1	Hexagon head bolt	40 - 168	A2	-	-
915	Floating nut	40 - 168	Steel	-	-
926.1	Prevailing torque nut	40 - 168	A2	-	-
951	Support spiral	65 - 168	Steel	-	-
961	Handwheel	40	Plastic	-	-
		65 - 168	EN-GJL-200	5.1300	-

<sup>13</sup> Recommended spare parts

**Materials of SISTO-LAD diaphragm actuator**



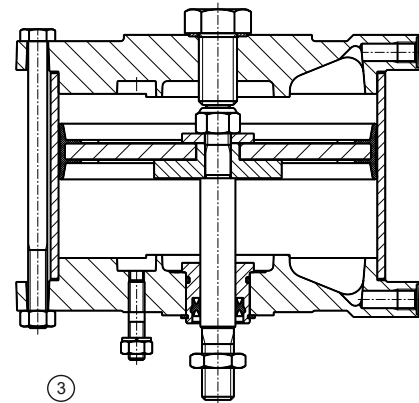
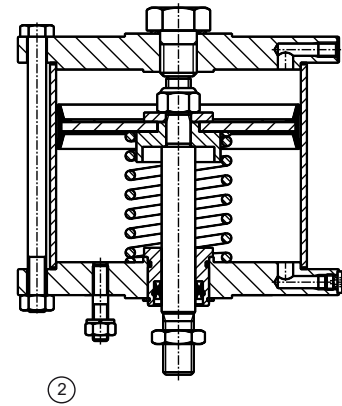
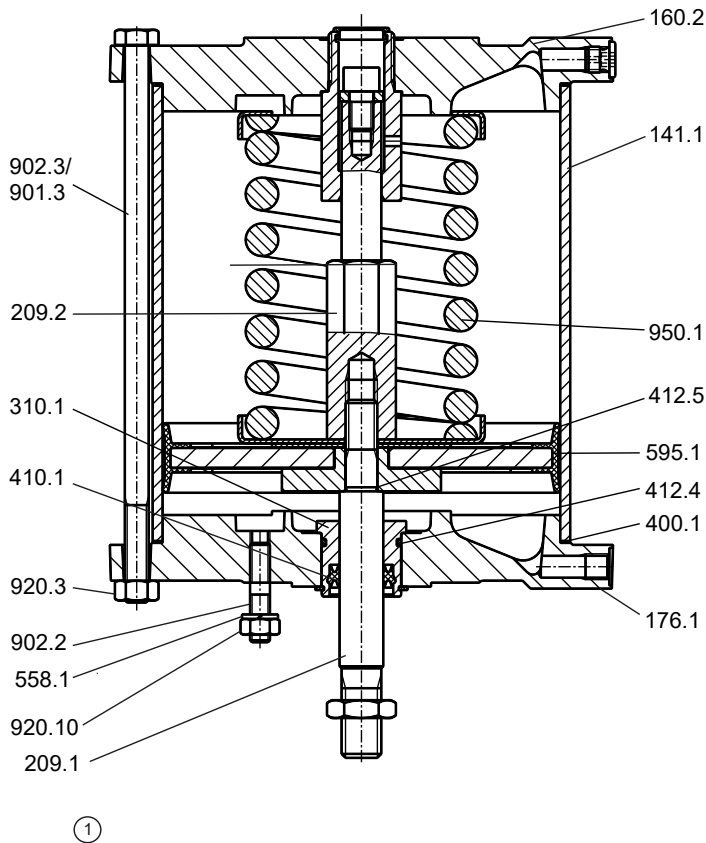
1	LAD-SF type	2	LAD-AZ type	3	LAD-OF type
---	-------------	---	-------------	---	-------------

**Parts list**

Part No.	Description	Material	Material number	Note
151.1	Lower housing section	Steel / PA-coated	-	-
151.2	Upper housing section	Steel / PA-coated	-	-
165	Bonnet	EN-GJS-400-18-LT	5.3103	-
200.3	Stem	X14CrMoS17	1.4104	-
209	Piston rod	X14CrMoS17	1.4104	-
412.1 <sup>14)</sup>	O-ring	NBR	-	-
412.6 <sup>14) 15)</sup>	O-ring	NBR	-	-
412.7 <sup>14) 15)</sup>	O-ring	NBR	-	-
443.4 <sup>14)</sup>	Actuator diaphragm	NBR	-	-
547.5	Guide bush	SoMs59	-	-
550 <sup>15)</sup>	Diaphragm plate	Galvanised steel	-	-
840	Coupling	X14CrMoS17	1.4104	-
901.2	Hexagon head bolt	8.8 A2E	-	-
911	Compressed air port	Brass	-	For 8 x 1 polyamide (PA) hose
920.3	Nut	A2	-	-
920.5	Nut	A2	-	-
950.1	Spring	Spring steel	-	-

<sup>14</sup> Recommended spare parts  
<sup>15</sup> We recommend having these parts replaced in our factory.

Materials of SISTO-LAP piston actuator



1	LAP-SF type	2	LAP-OF type	3	LAP-AZ type
---	-------------	---	-------------	---	-------------

Parts list

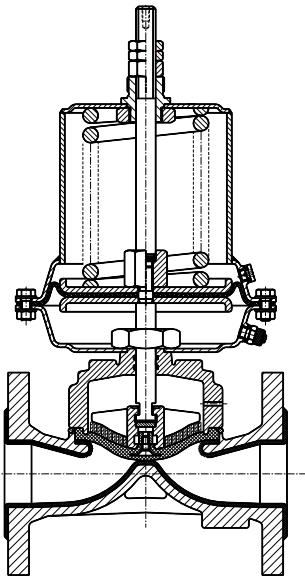
Part No.	Description	Material	Material number	Piston diameter [mm]
141.1	Cylinder	AlMgSi	3.3206	80 - 300
160.2	Top end cap	AlCu4PbMgMn AlSi7Mg0.3	3.1645 3.2371	80 - 160 200 - 300
176.1	Bottom end cap	AlCu4PbMgMn AlSi7Mg0.3	3.1645 3.2371	80 - 160 200 - 300
209.1	Lower piston rod	Stainless steel - X14CrMoS17	1.4104	80 - 300
209.2	Upper piston rod	Stainless steel - X14CrMoS17	1.4104	80 - 300
310.1 <sup>16)</sup> <sup>17)</sup>	Plain bearing	Plastic – POM	-	80 - 300
400.1 <sup>16)</sup> <sup>17)</sup>	Gasket	Plastic – AFM 30	-	80 - 300
410.1 <sup>16)</sup> <sup>17)</sup>	Seal/wiper set	Plastic – L96-SFR/NBR	-	80 - 300
412.4 <sup>16)</sup> <sup>17)</sup>	O-ring	NBR	-	80 - 300
412.5 <sup>16)</sup> <sup>17)</sup>	O-ring	NBR	-	80 - 300
558.1	Lock washer	A2	-	80 - 300
595.1 <sup>16)</sup> <sup>17)</sup>	Piston assembly	Steel/acrylonitrile butadiene rubber – St/NBR	-	80 - 300
901.3	Hexagon head bolt	8.8 galvanised	-	80 - 300
902.2	Stud	8.8 galvanised	-	80 - 300
902.3	Stud	A2-70	-	80 - 300
920.3	Nut	A2	-	80 - 300
920.10	Nut	A2	-	80 - 300
950.1	Spring	Spring steel	-	80 - 300

8643.1/24-EN

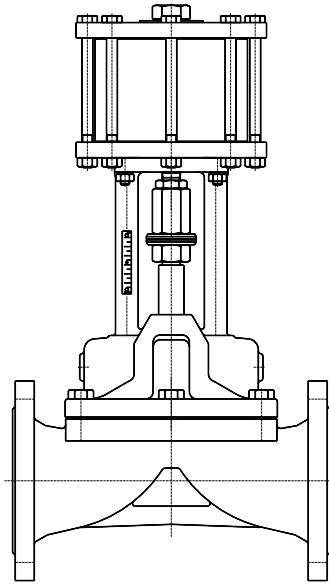
<sup>16)</sup> Recommended spare parts (= complete set of sealing elements)  
<sup>17)</sup> We recommend having these parts replaced in our factory.

Variants

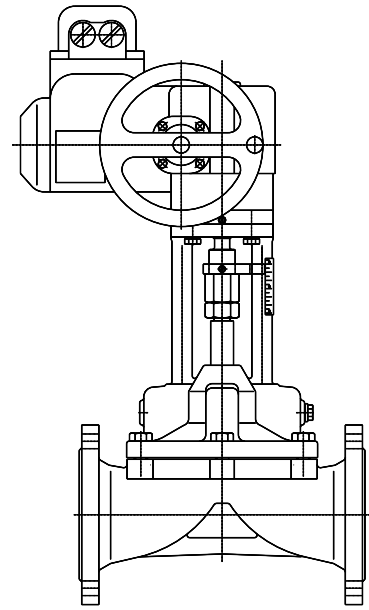
Illustrations of SISTO-20 manually operated valve variants



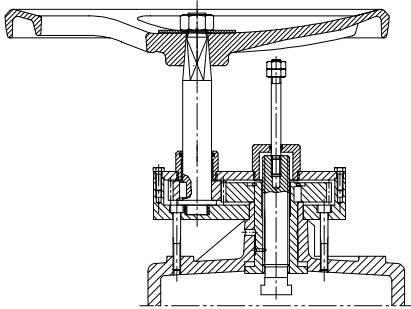
With SISTO-LAD



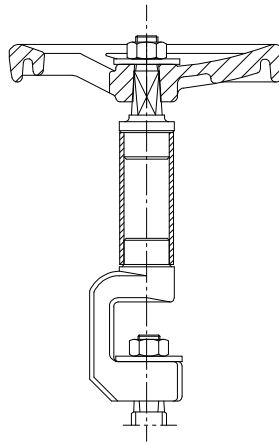
With SISTO-LAP



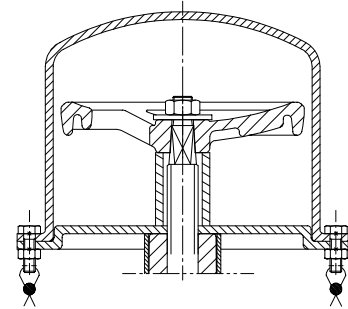
With electric actuator



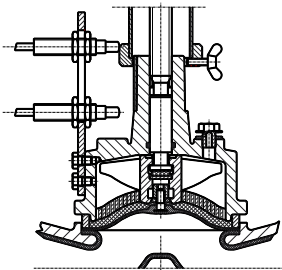
Gearbox



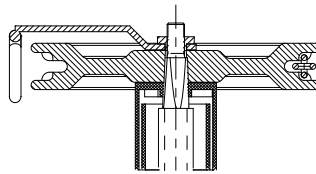
Stem extension



Lead-sealable cap

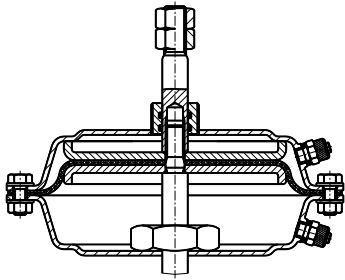


Limit switches, leakage detection hole, locking device

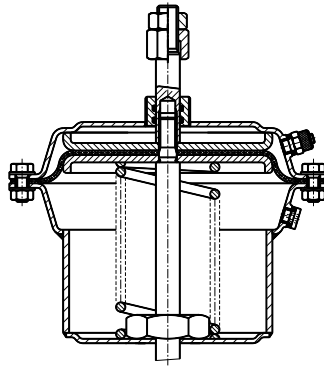


Chain wheel

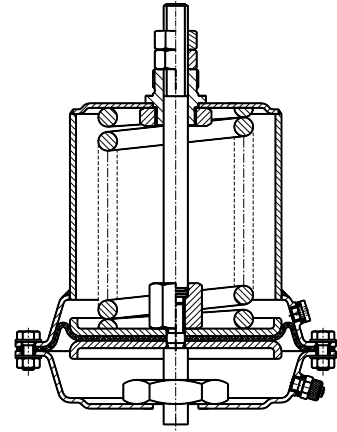
Variant illustrations of SISTO-LAD diaphragm actuator and accessories



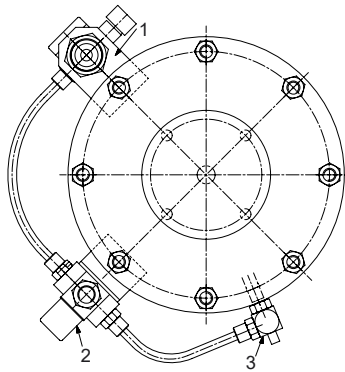
LAD-AZ type



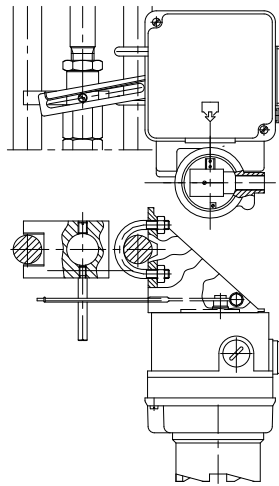
LAD-OF type



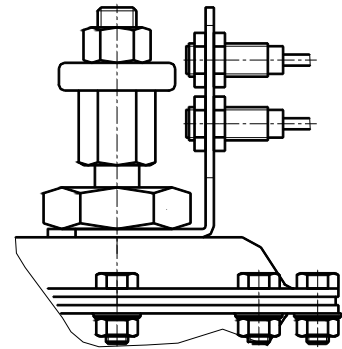
LAD-SF type



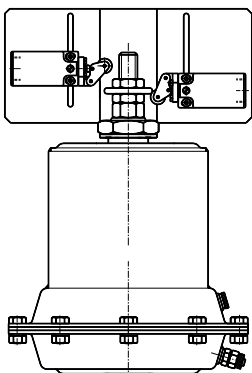
- 1) Filter/pressure reducer
- 2) Solenoid valve
- 3) Throttling valve



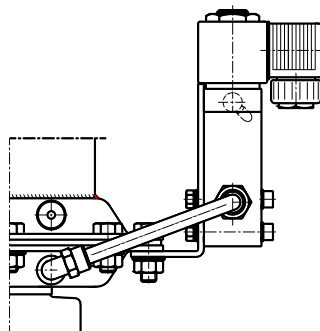
Configuration with positioner



Configuration with proximity sensor

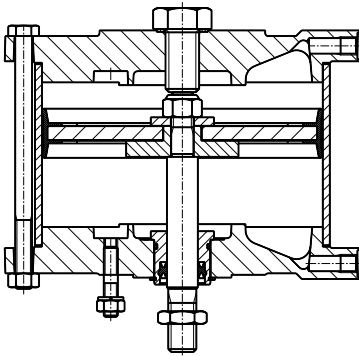


Configuration with mechanical limit switches

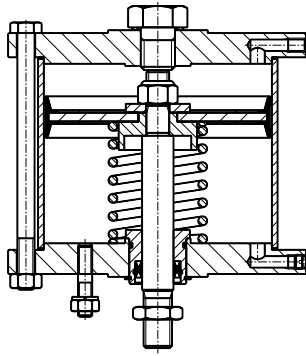


Configuration with solenoid valve

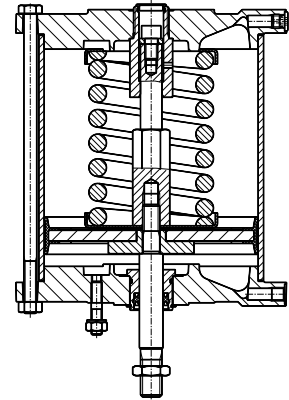
Variant illustrations of SISTO-LAP piston actuator and accessories



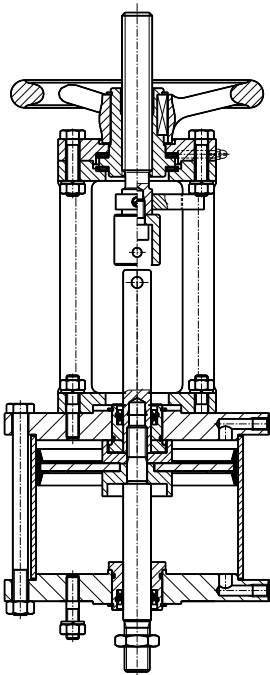
LAP-AZ type



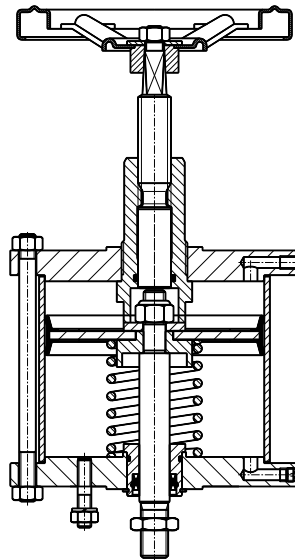
LAP-OF type



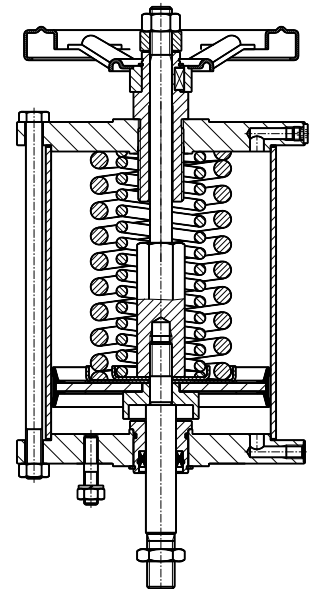
LAP-SF type



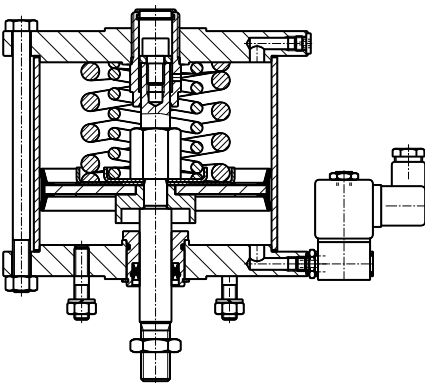
LAP-AZ type with emergency handwheel



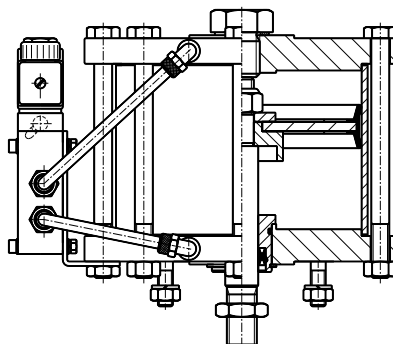
LAP-OF type with emergency handwheel



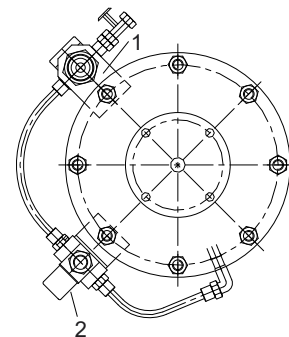
LAP-SF type with emergency handwheel



LAP-SF type with 3/2 directional control valve

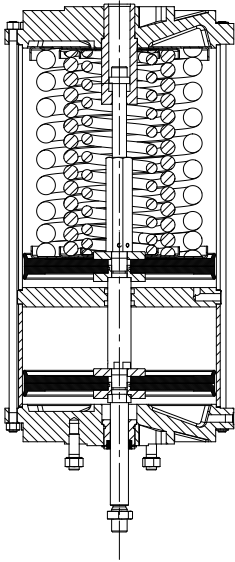


LAP-AZ type with 5/2 directional control valve

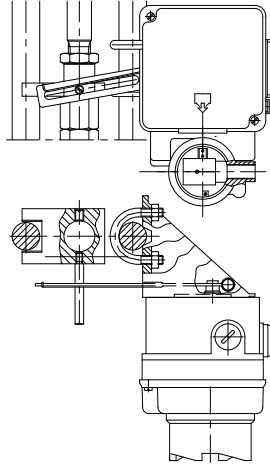


1) Filter/pressure reducer  
2) Solenoid valve

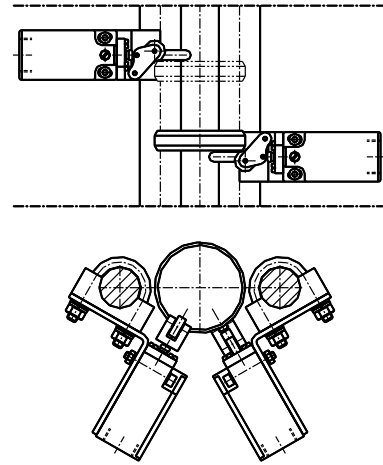




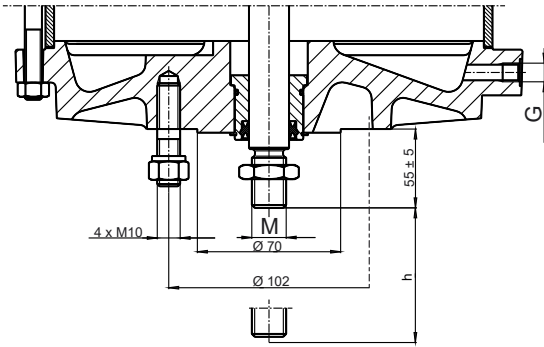
LAP-SF type with double piston



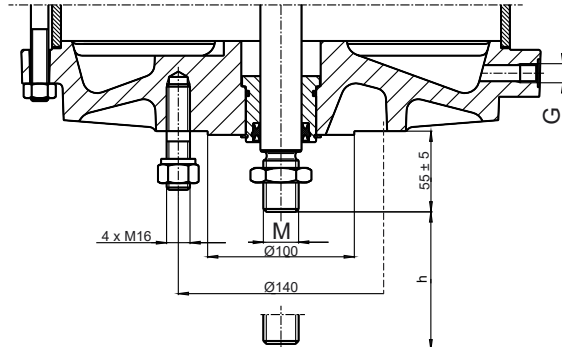
Configuration with positioner



Configuration with limit switches



Flange connection F10



Flange connection F14

Symbols key

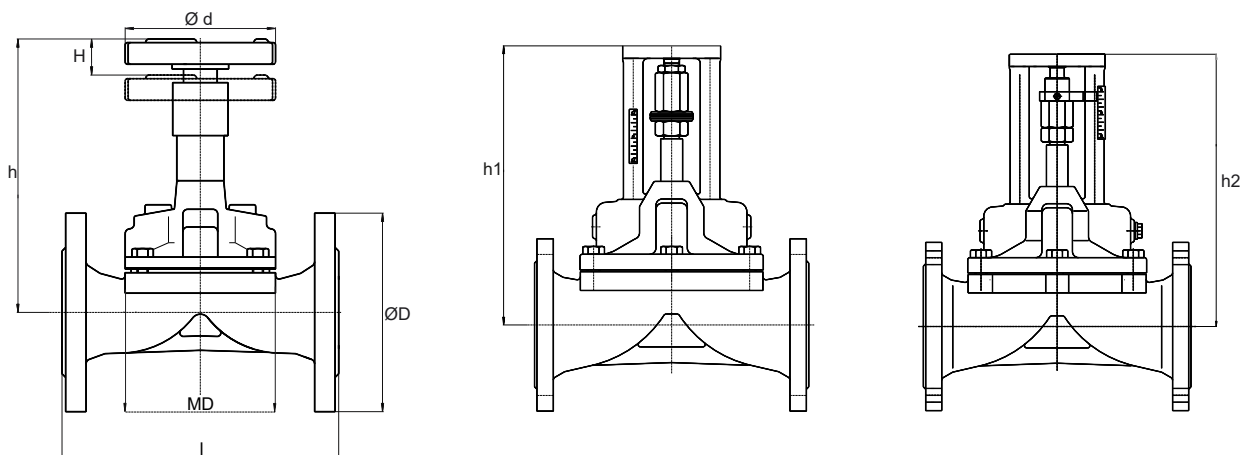
Symbol	Description
<b>G</b>	G1/8 in. for piston diameters 80/125/160 G1/4 in. for piston diameters 200/250/300
<b>M</b>	M12 for piston diameters 80/125 M20 for piston diameters 160 to 300 M24 for piston diameters D300/F14 optional

Mating dimensions as per standard

Flange connection: DIN ISO 5210 / DIN 3358  
Pipe connection: DIN ISO 228 G1/8 in. and G1/4 in.

**Dimensions and weights**

**Dimensions and weights of SISTO-20 manually operated valve with flanged ends**



SISTO-20 manually operated valve with flanged ends, DN 15 - 300

Prepared for SISTO-LAP (from MD 65)

Prepared for electric actuator (from MD 65)

**Dimensions and weights for materials 5.3103/1.0619**

DN	MD <sup>18)</sup> [mm]	l [mm]	Ø D [mm]	H [mm]	Manually operated valve				Prepared for actuator		
					h <sup>19)</sup> [mm]	Ø d [mm]	Handwheel turns approx.	[kg]	Centre-to-top height SISTO-LAP h1 <sup>19)</sup> [mm]	Centre-to-top height of electric actuator h2	
										F07/F10 [mm]	F14 [mm]
15	40	130	95	7	104	60	3	3,0	On request	On request	-
20	65	150	105	13	150	100	4	3,5	220	220	-
25	65	160	115	13	150	100	4	4,0	220	220	-
32	92	180	140	22	192	100	7	7,0	245	245	-
40	92	200	150	22	192	100	7	7,5	245	245	-
50	115	230	165	30	231	125	8	11,0	265	285	-
65	168	290	185	45	322	200 (250) <sup>20)</sup>	9	20,5	350	370	-
80	168	310	200	45	322	200 (250) <sup>20)</sup>	9	23,0	350	370	-
100	202	350	220	60	388	250 (315) <sup>20)</sup>	12	36,5	390	410	-
125	202	400	250	60	388	250 (315) <sup>20)</sup>	12	44,0	390	410	-
150	280	480	285	80	512	400 (500) <sup>20)</sup>	13	80,0	500	520	540
200 <sup>21)</sup>	280	600	340	80	512	400 (500) <sup>20)</sup>	13	95,0	500	520	540
250 <sup>22)</sup>	415	730	400	115	645	400	20	190,0	600	-	640
300 <sup>22)</sup>	415	850	445	115	645	400	20	210,0	600	-	640

**Mating dimensions as per standard**

Face-to-face lengths:	EN 558 R1	Flange facing:	DIN EN 1092-2, type B
Flanges:	DIN EN 1092-1		
	DIN EN 1092-2		
Flange facing:	DIN EN 1092-1, type B		

<sup>18</sup> MD = diaphragm diameter

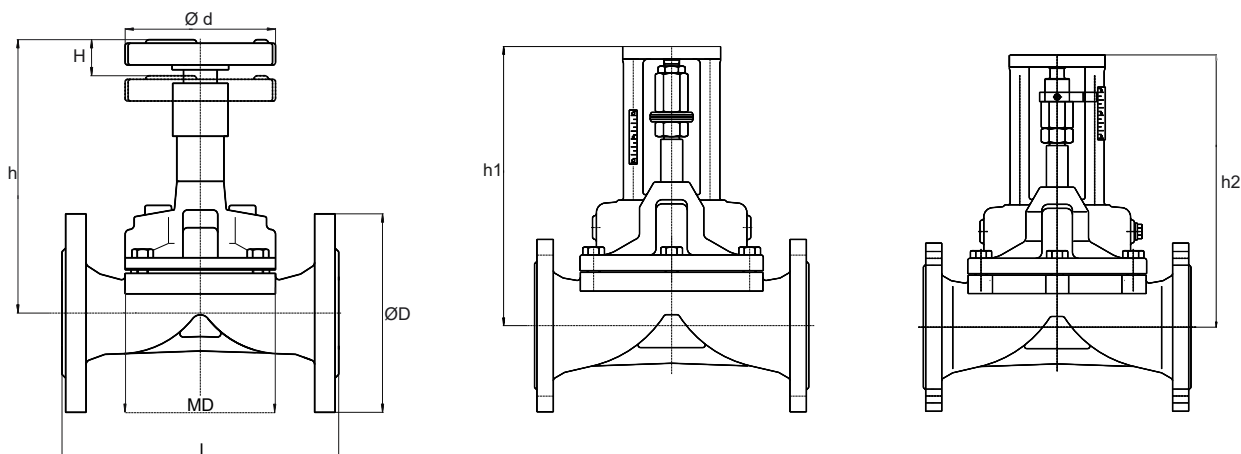
<sup>19</sup> Add 5 mm to centre-to-top height for rubber-lined valves

<sup>20</sup> Optionally with a larger handwheel diameter for operating pressures > 10 bar, from DN 100, a gearbox can be used as an alternative.

<sup>21</sup> Alternative: bolt hole pattern to DIN EN 1092-2 PN 10.

<sup>22</sup> Bolt hole pattern to DIN EN 1092-2 PN 10. Optional: gearbox for operating pressures >5 bar.

**Dimensions and weights of SISTO-20 manually operated valve with flanged ends**



SISTO-20 manually operated valve with flanged ends, DN 15 - 200

Prepared for SISTO-LAP (from MD 65)

Prepared for electric actuator (from MD 65)

**Dimensions and weights for material 1.4409**

DN	MD <sup>23)</sup> [mm]	l [mm]	Ø D [mm]	H [mm]	Manually operated valve				Prepared for actuator		
					h [mm]	Ø d [mm]	Handwheel turns approx.	[kg]	Centre-to-top height SISTO-LAP h1 [mm]	Centre-to-top height of electric actuator h2	
										F07/F10 [mm]	F14 [mm]
15	40	130	95	7	98	60	3	1,9	On request	On request	-
20	40	150	105	7	101	60	3	2,6	On request	On request	-
25	65	160	115	13	154	100	4	4,4	225	225	-
32	65	180	140	13	159	100	4	5,7	230	230	-
40	65	200	150	13	163	100	4	6,5	235	235	-
50	92	230	165	22	206	100	7	9,3	260	280	-
65 <sup>24)</sup>	115	290	185 <sup>24)</sup>	30	240	125	8	13,1	275	295	-
80	168	310	200	45	328	200 (250) <sup>25)</sup>	9	23,9	365	385	-
100	168	350	220	45	343	200 (250) <sup>25)</sup>	9	26,1	380	400	-
125	202	400	250	60	388	250 (315) <sup>25)</sup>	12	44,0	390	410	-
150	280	480	285	80	512	400 (500) <sup>25)</sup>	13	80,0	500	520	540
200	280	600	340	80	512	400 (500) <sup>25)</sup>	13	95,0	500	520	540

**Mating dimensions as per standard**

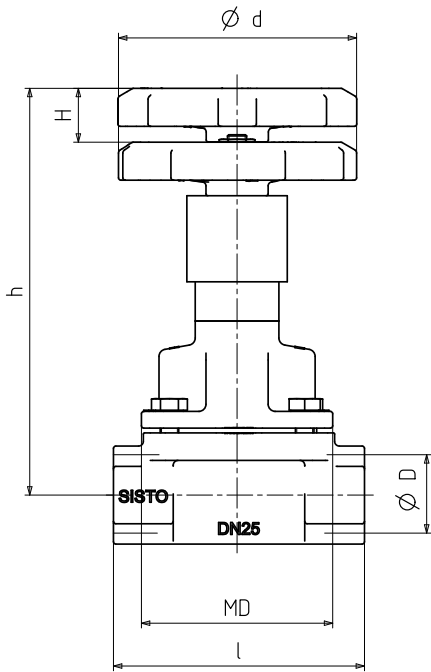
Face-to-face lengths: EN 558 R1  
 Flanges: DIN EN 1092-1  
 Flange facing: DIN EN 1092-1, type B

<sup>23</sup> MD = diaphragm diameter

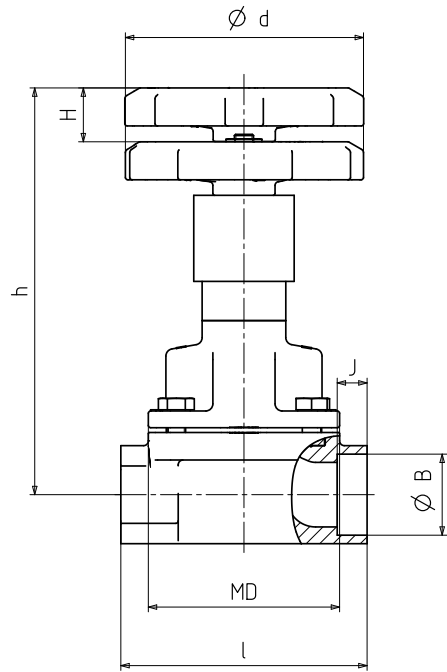
<sup>24</sup> Number of flange holes: 4

<sup>25</sup> Optionally with a larger handwheel diameter for operating pressures > 10 bar, from DN 100, a gearbox can be used as an alternative.

**Dimensions and weights of SISTO-20 manually operated valve with threaded socket ends or socket weld ends**



SISTO-20 manually operated valve with threaded socket ends  
DN 15 - 80



SISTO-20 manually operated valve with socket weld ends  
(ASME B16.11)  
DN 15 - 80

**Dimensions and weights**

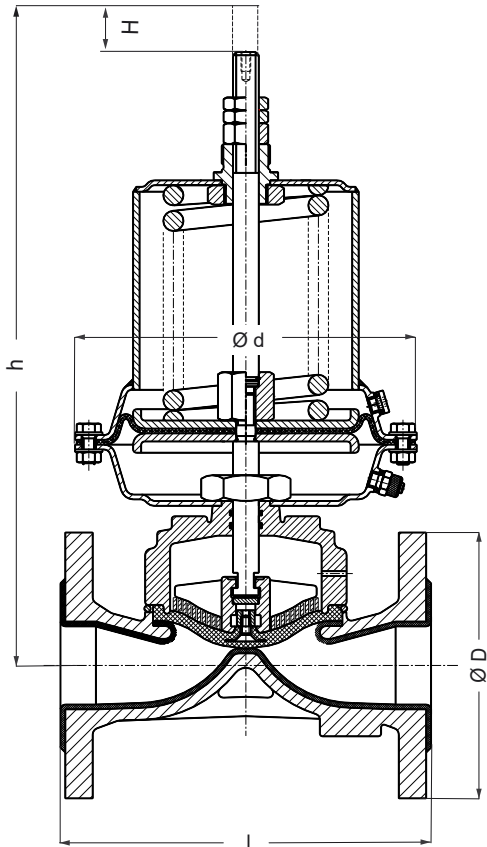
DN	MD <sup>26)</sup> [mm]	$\varnothing D$ [inch]	$\varnothing B$ [mm]	J [mm]	l [mm]	h [mm]	$\varnothing d$ [mm]	H [mm]	[kg]
15	40	1/2	21,8	9,5	85	93	63	7	0,5
20	40	3/4	27,2	12,5	95	96	63	7	0,6
25	65	1	33,9	12,5	105	151	100	13	2,5
32	65	1 1/4	42,7	12,5	120	154	100	13	2,5
40	65	1 1/2	48,8	12,5	130	157	100	13	3,0
50	92	2	61,2	16	150	201	100	22	5,0
65	115	2 1/2	73,9	16	185	248	125	30	8,0
80	168	3	89,8	16	220	329	200	45	16,5

**Mating dimensions as per standard**

Face-to-face lengths:           DIN EN 16722  
Socket weld ends:               ASME B16.11

<sup>26</sup> MD = diaphragm diameter

**Dimensions and weights of SISTO-LAD diaphragm actuator**



Diaphragm valve with SISTO-LAD

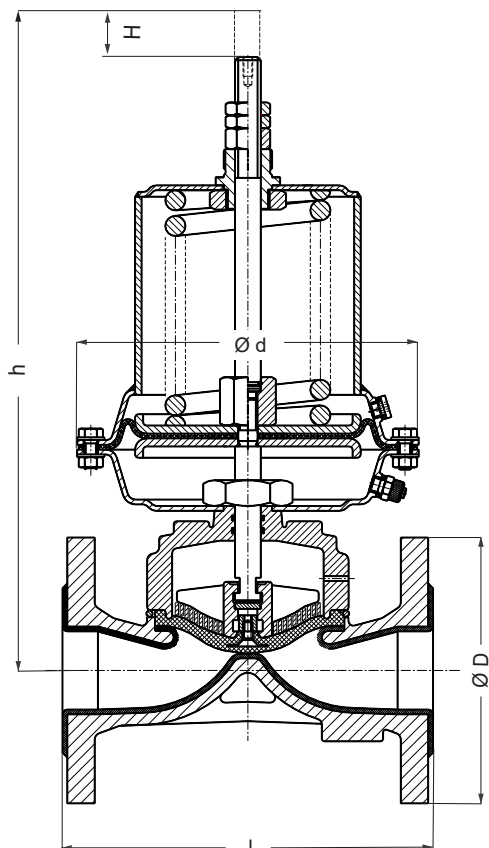
**Dimensions and weights for materials 5.3103/1.0619**

DN	MD <sup>27)</sup> [mm]	l [mm]	Ø D [mm]	H [mm]	AZ/OF/SF	AZ	OF	SF	AZ/OF/SF	AZ	OF	SF	AZ/OF/SF	AZ	OF	SF	LAD-SF type		
					Actuator size 100			Actuator size 150			Actuator size 220			100	150	220			
					Ø d [mm]	h <sup>28)29)</sup> [mm]	Ø d [mm]	h <sup>28)29)</sup> [mm]	Ø d [mm]	h <sup>28)29)</sup> [mm]	[kg]	[kg]	[kg]						
15	40	130	95	7	160	200	245	255	210	-	-	-	-	-	-	-	9,5	-	-
20	65	150	105	13	160	200	245	255	210	225	300	365	-	-	-	-	10,0	12,0	-
25	65	160	115	13	160	200	245	255	210	225	300	365	-	-	-	-	11,0	13,0	-
32	92	180	140	22	160	240	285	295	210	265	335	400	307	340	420	505	12,5	14,5	-
40	92	200	150	22	160	240	285	295	210	265	335	400	307	340	420	505	15,0	17,0	-
50	115	230	165	30	-	-	-	-	210	290	365	430	307	365	445	530	-	20,5	26,5
65	168	290	185	45	-	-	-	-	-	-	-	-	307	415	495	580	-	-	34,0
80	168	310	200	45	-	-	-	-	-	-	-	-	307	415	495	580	-	-	40,0
100	202	350	220	60	-	-	-	-	-	-	-	-	307	470	550	630	-	-	54,0
125	202	400	250	60	-	-	-	-	-	-	-	-	307	470	550	630	-	-	68,0

8643.1/24-EN

<sup>27</sup> MD = diaphragm diameter  
<sup>28</sup> Add 5 mm for rubber-lined valves  
<sup>29</sup> Add 50 mm for limit switch configuration

Dimensions and weights of SISTO-LAD diaphragm actuator



Diaphragm valve with SISTO-LAD

Dimensions and weights for material 1.4409

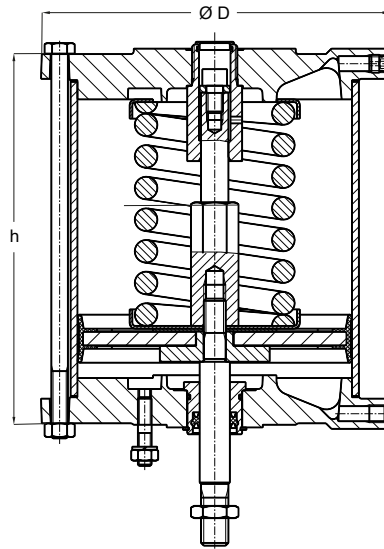
DN	MD <sup>30)</sup> [mm]	l [mm]	Ø D [mm]	H [mm]	AZ/OF/SF			AZ/OF/SF			AZ/OF/SF			LAD-SF type					
					AZ	OF	SF	Actuator size 100			Actuator size 150			Actuator size 220			100	150	220
								Ø d [mm]	h <sup>31)</sup> [mm]	Ø d [mm]	h <sup>31)</sup> [mm]	Ø d [mm]	h <sup>31)</sup> [mm]	[kg]	[kg]	[kg]			
15	40	130	95	7	160	200	245	255	210	-	-	-	-	-	-	9,5	-	-	
20	40	150	105	7	160	205	250	260	210	-	-	-	-	-	-	10,5	-	-	
25	65	160	115	13	160	210	250	260	210	235	305	375	-	-	-	10,5	12,5	-	
32	65	180	140	13	160	215	255	265	210	240	310	380	-	-	-	10,5	14,0	-	
40	65	200	150	13	160	220	260	270	210	245	315	385	-	-	-	12,5	16,0	-	
50	92	230	165	22	-	260	305	315	210	285	355	420	307	360	440	520	16,0	18,0	-
65 <sup>32)</sup>	115	290	185	30	-	-	-	-	-	310	365	450	307	385	465	550	-	22,0	22,0
80	168	310	200	45	-	-	-	-	-	-	-	-	307	430	515	595	-	-	39,0
100	168	350	220	45	-	-	-	-	-	-	-	-	307	450	530	610	-	-	47,5
125	202	400	250	60	-	-	-	-	-	-	-	-	307	470	550	630	-	-	68,0

<sup>30</sup> MD = diaphragm diameter

<sup>31</sup> Add 50 mm for limit switch configuration

<sup>32</sup> Number of flange holes: 4

**Dimensions and weights of SISTO-LAP piston actuator**



SISTO-LAP

Dimensions and weights for actuator function: air-to-open/air-to-close (AZ)

Type	Stroke [mm]	Ø D [mm]	h [mm]	[kg]
LAP-AZ-80-F10	15	130	111	4
LAP-AZ-80-F10	30	130	131	5
LAP-AZ-125-F10	15	170	131	6
LAP-AZ-125-F10	30	170	131	7
LAP-AZ-125-F10	45	170	151	8
LAP-AZ-125-F10	60	170	151	9
LAP-AZ-160-F10	30	210	168	11
LAP-AZ-160-F10	45	210	168	11
LAP-AZ-160-F10	60	210	188	12
LAP-AZ-200-F10	30	255	170	17
LAP-AZ-200-F10	45	255	190	17
LAP-AZ-200-F10	60	255	210	18
LAP-AZ-200-F10	80	255	230	20
LAP-AZ-250-F10	60	305	240	25
LAP-AZ-250-F10	80	305	260	28
LAP-AZ-250-F14	60	305	260	28
LAP-AZ-250-F14	80	305	260	28
LAP-AZ-300-F10	60	355	254	32
LAP-AZ-300-F10	80	355	274	35
LAP-AZ-300-F14	60	355	254	32
LAP-AZ-300-F14	80	355	274	35
LAP-AZ-D250-F14	80	355	424	47
LAP-AZ-D300-F14	80	355	432	61

Dimensions and weights for actuator function: spring-to-open/air-to-close (OF)

Type	Stroke [mm]	Ø D [mm]	h [mm]	[kg]
LAP-OF-80.101-F10	15	130	151	5
LAP-OF-80.101-F10	30	130	151	6
LAP-OF-125.101-F10	15	170	151	7
LAP-OF-125.101-F10	30	170	151	8
LAP-OF-160.102-F10	30	210	188	12
LAP-OF-160.102-F10	45	210	208	13
LAP-OF-200.102-F10	30	255	210	19
LAP-OF-200.102-F10	45	255	210	19
LAP-OF-200.001-F10	45	255	310	22
LAP-OF-200.001-F10	60	255	330	23

8643.1/24-EN

Type	Stroke [mm]	Ø D [mm]	h [mm]	[kg]
LAP-OF-250.002-F10	60	305	380	32
LAP-OF-250.002-F10	80	305	400	35
LAP-OF-250.002-F14	60	305	400	32
LAP-OF-250.002-F14	80	305	400	35
LAP-OF-300.002-F10	60	355	414	51
LAP-OF-300.012-F14	80	355	434	53
LAP-OF-D250.012-F14	80	305	504	54
LAP-OF-D300.012-F14	80	355	572	74

Dimensions and weights for actuator function: air-to-open/spring-to-close (SF)

Type	Stroke [mm]	Ø D [mm]	h [mm]	[kg]
LAP-SF-80.001.5-F10	15	130	171	6
LAP-SF-80.001-F10	30	130	271	7
LAP-SF-125.002.5-F10	15	170	212	10
LAP-SF-125.002-F10	30	170	271	12
LAP-SF-160.012-F10	30	210	274	18
LAP-SF-160.012-F10	45	210	310	19
LAP-SF-200.003.5-F10	30	255	290	28
LAP-SF-200.003.7-F10	45	255	350	32
LAP-SF-200.003-F10	60	255	450	35
LAP-SF-200.003-F10	80	255	470	37
LAP-SF-250.004.7-F10	45	305	380	42
LAP-SF-250.004-F10	60	305	480	45
LAP-SF-250.004-F10	80	305	500	48
LAP-SF-250.004-F14	60	305	380	42
LAP-SF-250.004-F14	80	305	500	49
LAP-SF-300.034-F10	60	355	514	67
LAP-SF-300.034-F14	80	355	535	75
LAP-SF-D300.005-F14	80	355	732	99
LAP-SF-D300.034-F10	80	355	693	81
LAP-SF-D300.345-F14	80	355	732	122



**Technical data**

**Actuator size of SISTO-LAD diaphragm actuator**

**Selection table for maximum permissible operating pressure in bar for SISTO-20 valve with elastomer diaphragm<sup>33)</sup>**

Materials 5.3103/1.0619

Minimum required control pressure: 4 bar/maximum permissible control pressure: 6 bar

Symbols key

Symbol	Description
↑	Select smaller actuator.
↓	Select larger actuator.

Operating pressure [bar] for actuator function air-to-open/air-to-close (AZ)

Actuator size	Stroke [mm]	MD 40	MD 65	MD 92	MD 115	MD 168	MD 202
LAD-AZ-100	20	16	16	9	↓	↓	↓
LAD-AZ-150	35	↑	↑	16	11	↓	↓
LAD-AZ-220	56	↑	↑	↑	16	13	7

Operating pressure [bar] for actuator function spring-to-open/air-to-close (OF)

Actuator size	Stroke [mm]	MD 40	MD 65	MD 92	MD 115	MD 168	MD 202
LAD-OF-100.014	20	16	14	7	↓	↓	↓
LAD-OF-150.102	35	↑	16	16	9	↓	↓
LAD-OF-220.001	56	↑	↑	↑	16	10	5

Operating pressure [bar] for actuator function air-to-open/spring-to-close (SF)

Actuator size	Stroke [mm]	MD 40	MD 65	MD 92	MD 115	MD 168	MD 202
LAD-SF-100.001.5	20	16	9	4	↓	↓	↓
LAD-SF-150.002	35	↑	16	13	7	↓	↓
LAD-SF-220.003.7	56	↑	↑	↑	16	8	3
LAD-SF-220.004.75 <sup>34)</sup>	56	↑	↑	↑	↑	10	4

**Selection table for maximum permissible operating pressure in bar for SISTO-20 valve with PTFE diaphragm<sup>33)</sup>**

Materials 5.3103/1.0619

Minimum required control pressure: 4 bar/maximum permissible control pressure: 6 bar

Operating pressure [bar] for actuator function air-to-open/air-to-close (AZ)

Actuator size	Stroke [mm]	MD 40	MD 65	MD 92	MD 115	MD 168	MD 202
LAD-AZ-100	20	16	12	↓	↓	↓	↓
LAD-AZ-150	35	↑	16	16	6	↓	↓
LAD-AZ-220	56	↑	↑	↑	15	7	↓

Operating pressure [bar] for actuator function spring-to-open/air-to-close (OF)

Actuator size	Stroke [mm]	MD 40	MD 65	MD 92	MD 115	MD 168	MD 202
LAD-OF-100.014	20	16	10	↓	↓	↓	↓
LAD-OF-150.102	35	↑	16	14	5	↓	↓
LAD-OF-220.001	56	↑	↑	16	13	3	↓

Operating pressure [bar] for actuator function air-to-open/spring-to-close (SF)

Actuator size	Stroke [mm]	MD 40	MD 65	MD 92	MD 115	MD 168	MD 202
LAD-SF-100.001.5	20	16	4	↓	↓	↓	↓
LAD-SF-150.002	35	↑	16	9	3	↓	↓
LAD-SF-220.003.7	56	↑	↑	16	8	↓	↓
LAD-SF-220.004.75 <sup>34)</sup>	56	↑	↑	↑	16	5	2

Other selection options on request

8643. 1/24-EN

<sup>33</sup> Selection of actuators for SISTO-20 with body 1.4409 on request

<sup>34</sup> Min. 5 bar

### Actuator size of SISTO-LAP piston actuator

#### Selection table for maximum permissible operating pressure in bar for SISTO-20 valve with elastomer diaphragm

Materials 5.3103/1.0619<sup>35)</sup>

Minimum required control pressure: 5.5 bar / maximum permissible control pressure: 10 bar

Symbols key

Symbol	Description
↑	Select smaller actuator.
↓	Select larger actuator.

Operating pressure [bar] for actuator function air-to-open/air-to-close (AZ)

Actuator size	Stroke [mm]	MD 65	MD 92	MD 115	MD 168	MD 202	MD 280
LAP-AZ-80-F10	15/30	12	7	3	↓	↓	↓
LAP-AZ-125-F10	15/30	16	16	10	↓	↓	↓
LAP-AZ-125-F10	45/60	↑	↑	↑	5	↓	↓
LAP-AZ-160-F10	30	↑	↑	16	↓	↓	↓
LAP-AZ-160-F10	45/60	↑	↑	↑	9	5	↓
LAP-AZ-200-F10	30/45	↑	↑	↑	15	↓	↓
LAP-AZ-200-F10	60/80	↑	↑	↑	↑	8	3
LAP-AZ-250-F10/F14	60/80	↑	↑	↑	16	12	6
LAP-AZ-300-F10/F14	60/80	↑	↑	↑	↑	16	9
LAP-AZ-D250-F14	80	↑	↑	↑	↑	↑	12
LAP-AZ-D300-F14 <sup>36)</sup>	80	↑	↑	↑	↑	↑	16

Operating pressure [bar] for actuator function spring-to-open/air-to-close (OF)

Actuator size	Stroke [mm]	MD 65	MD 92	MD 115	MD 168	MD 202	MD 280
LAP-OF-80.101-F10	15/30	8	4	2	↓	↓	↓
LAP-OF-125.101-F10	15/30	16	16	8	↓	↓	↓
LAP-OF-160.102-F10	30/45	↑	↑	16	8	↓	↓
LAP-OF-200.102-F10	30/45	↑	↑	↑	14	↓	↓
LAP-OF-200.001-F10	45/60	↑	↑	↑	↑	6	↓
LAP-OF-250.002-F10/F14	60/80	↑	↑	↑	16	9	4
LAP-OF-300.002-F10 <sup>36)</sup>	60	↑	↑	↑	↑	15	↓
LAP-OF-300.012-F14	80	↑	↑	↑	↑	↑	7
LAP-OF-D250.012-F14	80	↑	↑	↑	↑	16	10
LAP-OF-D300.012-F14 <sup>36)</sup>	80	↑	↑	↑	↑	↑	16

Operating pressure [bar] for actuator function air-to-open/spring-to-close (SF)

Actuator size	Stroke [mm]	MD 65	MD 92	MD 115	MD 168	MD 202	MD 280
LAP-SF-80.001.5-F10	15	8	↓	↓	↓	↓	↓
LAP-SF-80.001-F10	30	↑	5	2	↓	↓	↓
LAP-SF-125.002.5-F10	15	16	↓	↓	↓	↓	↓
LAP-SF-125.002-F10	30	↑	13	6	↓	↓	↓
LAP-SF-160.012-F10	30/45	↑	16	10	4	↓	↓
LAP-SF-200.003.5-F10	30	↑	↑	14	↓	↓	↓
LAP-SF-200.003.7-F10	45	↑	↑	16	9	↓	↓
LAP-SF-200.003-F10	60/80	↑	↑	↑	↓	4	↓
LAP-SF-250.004.7-F10	45	↑	↑	↑	14	↓	↓
LAP-SF-250.004F10/F14	60/80	↑	↑	↑	↓	7	3
LAP-SF-300.034-F10	60	↑	↑	↑	16	11	↓
LAP-SF-300.034-F14 <sup>36)</sup>	80	↑	↑	↑	↑	↓	5
LAP-SF-D300.005-F14	80	↑	↑	↑	↑	16	8
LAP-SF-D300.345-F14	80	↑	↑	↑	↑	↑	11

Other selection options on request

<sup>35</sup> Selection of actuators for SISTO-20 with body 1.4409 on request

<sup>36</sup> Max. 7 bar

### Actuator size of SISTO-LAP piston actuator

#### Selection table for maximum permissible operating pressure in bar for SISTO-20 valve with PTFE diaphragm

Materials 5.3103/1.0619<sup>37)</sup>

Minimum required control pressure: 5.5 bar / maximum permissible control pressure: 10 bar

Symbols key

Symbol	Description
↑	Select smaller actuator.
↓	Select larger actuator.

Operating pressure [bar] for actuator function air-to-open/air-to-close (AZ)

Actuator size	Stroke [mm]	MD 65	MD 92	MD 115	MD 168	MD 202	MD 280
LAP-AZ-80-F10	15/30	10	↓	↓	↓	↓	↓
LAP-AZ-125-F10	15/30	16	16	5	↓	↓	↓
LAP-AZ-160-F10	30	↑	↑	10	↓	↓	↓
LAP-AZ-160-F10	45/60	↑	↑	↑	3	↓	↓
LAP-AZ-200-F10	30/45	↑	↑	16	9	↓	↓
LAP-AZ-200-F10	60/80	↑	↑	↑	↓	3	↓
LAP-AZ-250-F10/F14	60/80	↑	↑	↑	16	10	↓
LAP-AZ-300-F10/F14	60/80	↑	↑	↑	↑	16	5
LAP-AZ-D250-F14	80	↑	↑	↑	↑	↑	10
LAP-AZ-D300-F14 <sup>38)</sup>	80	↑	↑	↑	↑	↑	16

Operating pressure [bar] for actuator function spring-to-open/air-to-close (OF)

Actuator size	Stroke [mm]	MD 65	MD 92	MD 115	MD 168	MD 202	MD 280
LAP-OF-80.101-F10	15/30	5	↓	↓	↓	↓	↓
LAP-OF-125.101-F10	15/30	16	↓	↓	↓	↓	↓
LAP-OF-160.102-F10	30/45	↑	16	8	↓	↓	↓
LAP-OF-200.102-F10	30/45	↑	↑	16	↓	↓	↓
LAP-OF-200.001-F10	45/60	↑	↑	↑	6	↓	↓
LAP-OF-250.002-F10/F14	60/80	↑	↑	↑	12	3	↓
LAP-OF-300.002-F10 <sup>38)</sup>	60	↑	↑	↑	16	11	↓
LAP-OF-300.012-F14	80	↑	↑	↑	↑	↑	2
LAP-OF-D250.012-F14	80	↑	↑	↑	↑	16	8
LAP-OF-D300.012-F14 <sup>38)</sup>	80	↑	↑	↑	↑	↑	16

Operating pressure [bar] for actuator function air-to-open/spring-to-close (SF)

Actuator size	Stroke [mm]	MD 65	MD 92	MD 115	MD 168	MD 202	MD 280
LAP-SF-80.001.5-F10	15	4	↓	↓	↓	↓	↓
LAP-SF-125.002.5-F10	15	16	↓	↓	↓	↓	↓
LAP-SF-125.002-F10	30	↑	8	3	↓	↓	↓
LAP-SF-160.012-F10	30/45	↑	16	5	↓	↓	↓
LAP-SF-200.003.5-F10	30	↑	↑	7	↓	↓	↓
LAP-SF-200.003.7-F10	45	↑	↑	9	3	↓	↓
LAP-SF-250.004.7-F10	45	↑	↑	16	8	↓	↓
LAP-SF-250.004-F10	60	↑	↑	↑	↑	5	↓
LAP-SF-300.034-F10	60	↑	↑	↑	16	12	↓
LAP-SF-D300.034-F10 <sup>38)</sup>	60	↑	↑	↑	16	12	↓
LAP-SF-D300.005-F14	80	↑	↑	↑	↑	↑	5
LAP-SF-D300.345-F14	80	↑	↑	↑	↑	↑	10

Other selection options on request

<sup>37)</sup> Selection of actuators for SISTO-20 with body 1.4409 on request

<sup>38)</sup> Max. 7 bar







**SISTO Armaturen S.A.**  
18, rue Martin Maas • L-6468 Echternach  
Tel.: +352 325085-1 • Fax: +352 328956  
E-Mail: [sisto@ksb.com](mailto:sisto@ksb.com)  
[www.sisto.lu](http://www.sisto.lu)

A KSB Company • The KSB logo, consisting of the letters "KSB" in a bold, blue, sans-serif font, followed by a stylized blue square icon containing a white lowercase letter "b".