

Diaphragm Valve

SISTO-16

PN 16
DN 15-300

Type Series Booklet



SISTO

Legal information/Copyright

Type Series Booklet SISTO-16

All rights reserved. The contents provided herein must neither be distributed, copied, reproduced, edited or processed for any other purpose, nor otherwise transmitted, published or made available to a third party without the manufacturer's express written consent.

Subject to technical modification without prior notice.

© SISTO Armaturen S.A., Echternach, Luxemburg 2023-03-27

Contents

Diaphragm Valves.....	4
Diaphragm Valves – No Dead Volume, Soft-seated, Glandless.....	4
SISTO-16.....	4
Main applications.....	4
Fluids handled.....	4
Operating data.....	4
Valve body materials.....	5
Design details.....	5
Product benefits.....	6
Product information.....	7
Related documents.....	7
Purchase order specifications.....	7
Flow coefficients.....	7
Pressure/temperature ratings.....	8
Materials.....	9
Variants.....	15
Dimensions and weights.....	19
Technical data.....	25

Diaphragm Valves

Diaphragm Valves – No Dead Volume, Soft-seated, Glandless

SISTO-16



Main applications

- Mining
- General irrigation systems
- Chemical industry
- Homogenisation
- Industry/process engineering
- Industrial recirculation systems
- Waste water treatment plants
- Air-conditioning systems
- Condensate transport
- Fossil-fuelled power stations
- Power stations
- Cooling circuits
- Paint shops
- Seawater desalination/reverse osmosis
- Mining
- Paper industry / pulp industry
- Petrochemical industry
- Refinery
- Flue gas desulphurisation
- Shipbuilding
- Swimming pools
- Process engineering
- Heat recovery systems

- Hot-water heating systems
- Water treatment
- Water extraction

Fluids handled

- Waste water without faeces
- Aggressive fluids
- Inorganic fluids
- Brackish water
- Service water
- Steam
- Distillate
- Paints and varnishes
- River water, lake water and groundwater
- Gas
- Fluids posing a health hazard
- Toxic fluids
- Hot water
- Highly aggressive fluids
- Condensate
- Corrosive fluids
- Fuels
- Cooling water
- Volatile fluids
- Solvents
- Seawater
- Fluids containing mineral oils
- Oil
- Organic fluids
- Polymerising/crystallising fluids
- Cleaning agents
- Lubricants
- Brine
- Dipping paints
- Drinking water
- Wash water
- Other fluids on request.

Operating data

Table 1: Operating properties

Characteristic	Value
Nominal pressure	PN 16 ¹⁾
Nominal size	DN 15 - 300
Max. permissible pressure [bar]	16 ²⁾
Min. permissible temperature [°C] ³⁾	≥ -10
Max. permissible temperature [°C] ³⁾	≤ +160

¹ DN 250 - 300 = PN 10

² DN 250 - 300 = 10 bar

³ The temperatures indicated are for orientation only; they are not valid for all operating conditions.

SISTO-LAD diaphragm actuator

- Max. permissible control medium temperature: 80 °C
- Permissible control pressure: 4 - 6 bar

SISTO-LAP piston actuator

- Max. permissible control medium temperature: 80 °C

Table 2: Permissible control pressure

Piston diameter	Actuator flange DIN ISO 5210 / DIN 3358	Permissible control pressure P _{ctr. perm.}
[mm]		[bar]
80 - 250	F10	5,5 - 10
250	F14	5,5 - 10
300	F10	5,5 - 7

Piston diameter	Actuator flange DIN ISO 5210 / DIN 3358	Permissible control pressure P _{ctr. perm.}
[mm]		[bar]
300	F14	5,5 - 10
D250 ⁴⁾	F14	5,5 - 10
D300 ⁴⁾	F14	5,5 - 7

i Pneumatic actuators from SISTO are suitable for compressed air of purity class 5:4:4 in accordance with ISO 8573-1. If there is a risk of frost, purity class 5:3:4 must be applied to prevent damage caused by icing.

Directly mounted SISTO-LAP.520 piston actuator

- Max. permissible control medium temperature: 80 °C
- Permissible control pressure: 5.5 - 7 bar

Valve body materials

Table 3: Material overview (for available variants see the Variant overview (⇒ Page 6) table)

Material	Material number	ASTM ⁵⁾	Temperature limit
EN-GJL-250 (GG25)	5.1301	A48 Class 35 (UNS F12401)	-10 °C to +160 °C
GX2CrNiMo19-11-2 ⁶⁾	1.4409	A351 Gr. CF3M (UNS J92800)	-10 °C to +160 °C
EN-GJS-400-18U-LT (GGG40.3)	5.3103	A536 Gr. 60-40-18	-10 °C to +160 °C

Design details

Design

- Models with flanged ends or threaded socket ends
- Soft-seated weir-type shut-off valve in straight-way pattern
- Rising handwheel
- Shut-off and sealing to atmosphere by spiral-supported, completely enclosed diaphragm.
DN 250 and above: spiral-supported design only
- Position indicator with integrated stem protection
- Manufactured and tested to EN 13397
- Marked in accordance with DIN EN 19 (ISO 5209)
- Version in compliance with TA-Luft (German Clean Air Act) to VDI 2440 for DN 15 - 200

- Chain wheel
- Leakage detection hole and additional stem seal for DN 15 - 200
- Diaphragm made of CSM, temperature limit: +80 °C
- Diaphragm made of EPDM, temperature limit: +140 °C
- Diaphragm made of SISTOMaXX (EPDM/W270), temperature limit: +90 °C
- Diaphragm made of EPDM-V (vacuum), temperature limit: +140 °C
- FKM diaphragm⁷⁾, temperature limit +120 °C
- Diaphragm made of IIR, temperature limit: +120 °C
- Diaphragm made of NBR, temperature limit: +90 °C
- TFM/EPDM diaphragm, 2-piece⁸⁾, Temperature limit +160 °C
- Lead-sealable cap (prevents unauthorised actuation)
- Stem extension
- Certification to customer specification

Variants

- Actuator (electric or pneumatic)
- Limit switches
- Locking device
- Body lined with IIR (butyl), temperature limit: +120 °C
- Body lined with NRH (hard rubber), temperature limit: +100 °C
- Body coated with ECTFE (Halar), temperature limit: +90 °C
- Body coated with PA (Rilsan), temperature limit: +60 °C

4 Double piston
5 The ASTM materials are similar to the materials indicated.
6 Body with threaded socket ends
7 From DN 20
8 DN 250-300: max. operating pressure 6 bar

Variant overview

Table 4: Variant overview of SISTO-16 with flanged ends

DN	Material Body	Bonnet material	Lining			Coating	
		Standard	None	IIR	NRH	PA (Rilsan)	ECTFE (Halar)
15	5.3103	1.0619	x	x	x	x	x
20 - 150	5.1301	5.1301	x	x	x	x	x
200 - 300	5.3103	5.1301	x	x	x	x	x

Table 5: Variant overview of SISTO-16 with threaded socket ends

DN	Material Body	Bonnet material	Lining			Coating	
		Standard	None	IIR	NRH	PA (Rilsan)	ECTFE (Halar)
15 - 20	1.4409	1.0619	x	-	-	-	-
25 - 80	1.4409	5.1301	x	-	-	-	-

Actuators

– Spring-to-close

SISTO-LAD diaphragm actuator

- Sliding stem sealed by O-rings
- Mechanical travel stops in the actuator for closed position and open position
- Manual override available as standard for spring-to-close design
- Leakage detection hole from MD 65

Actuator function

- Actuator type LAD-AZ
 - Air-to-open
 - Air-to-close
- Actuator type LAD-OF
 - Spring-to-open
 - Air-to-close
- Actuator type LAD-SF
 - Air-to-open
 - Spring-to-close

SISTO-LAP piston actuator

- Double-acting piston, piston rod extending from one end only, with or without spring
- Piston rod sealed by U-ring and scraper ring
- Piston with double cup seal and vulcanised metal disc
- Mechanical travel stops in the actuator for closed position and open position
- Flanges to DIN ISO 5210/DIN 3358
- Piston diameters 80 to 300 = F10
- Piston diameters 250 to 300 = F14
- Leakage detection hole from MD 65 with screw (can be plugged)

Actuator function

- Actuator type LAP-AZ
 - Air-to-open
 - Air-to-close
- Actuator type LAP-OF
 - Spring-to-open
 - Air-to-close
- Actuator type LAP-SF
 - Air-to-open

Directly mounted SISTO-LAP.520 piston actuator

- Compact mounting without lantern
- Leakage detection hole

Actuator function

- Actuator type LAP-AZ
 - Air-to-open
 - Air-to-close
- Actuator type LAP-OF
 - Spring-to-open
 - Air-to-close
- Actuator type LAP-SF
 - Air-to-open
 - Spring-to-close

Electric actuator

- Multi-turn actuator
- Linear actuator

Product benefits

- **Reliable sealing to atmosphere and absolutely tight shut-off**
The diaphragm provides absolutely tight shut-off as well as hermetic sealing to atmosphere and of all operating elements.
- **Maximum service life and pressure limit**
Maximised diaphragm life and pressure limit thanks to completely enclosed, spiral-supported diaphragm.
- **Excellent functional reliability**
Increased functional reliability of the diaphragm thanks to balanced diaphragm suspension.
- **Excellent resistance to corrosion and abrasion**
High-quality body materials and linings offer reliability and a long service life.
- **Smooth actuation**
The thrust bearing minimises the closing torques.
- **Optimised long-term operation**
The stem protection integrated in the position indicator prevents ingress of contaminants.
- **Fluid purity**

Valve hydraulics without dead volume ensure optimum conditions for high-purity fluids and protection against deposits.

▪ **Quick identification of valve position**

The valve's position can be easily identified via a clear visual indicator, also visible from a distance.

▪ **Reliable operation**

The stem and all internal operating elements are **not** in contact with the fluid.

Product information

Product information as per Regulation No. 1907/2006 (REACH)

For information as per European chemicals regulation (EC) No. 1907/2006 (REACH) see <https://www.ksb.com/en-global/company/corporate-responsibility/reach>.

Product information as per Pressure Equipment Directive 2014/68/EU (PED)

The valves satisfy the safety requirements of Annex I of the European Pressure Equipment Directive 2014/68/EU (PED) for fluids in Groups 1 and 2.

Product information as per Directive 2014/34/EU (ATEX)

Valves without electrical components do not have a potential internal source of ignition and can be used in potentially explosive atmospheres, Group II, category 1 (zones 0+20), category 2 (zones 1+21) and category 3 (zones 2+22) to ATEX 2014/34/EU. Components such as electric actuators, position switches, block terminals, solenoid valves, etc. may in certain circumstances be covered by Article 1 of Directive 2014/34/EU. They must be subjected to a conformity assessment procedure and separate evidence of compliance must be provided (e.g. EC Declaration of Conformity or manufacturer's declaration).

Product information as per Regulation (EU) 1935/2004

Table 6: Overview

Label	Effective in:
	Europe ⁹⁾ Certificate regarding food contact materials as per Regulation (EU) 1935/2004

Related documents

Table 7: Information/documents

Document	Reference number
Operating manual	0570.821
Type series booklet SISTO-LAD (diaphragm actuator)	9211.1
Type series booklet SISTO-LAP (piston actuator)	9210.1

Purchase order specifications

Please specify the following information in all enquiries or purchase orders:

Valve

1. Type
2. Nominal pressure
3. Nominal size
4. Operating pressure
5. Differential pressure
6. Operating temperature
7. Fluid handled
8. Pipe connection
9. Variants
10. Number of type series booklet
11. Certificate

Actuator

1. Type
2. Control pressure P_{ctr}
3. Accessories

Flow coefficients

Table 8: Flow coefficients for unlined valves with flanged ends

DN	MD ¹⁰⁾ [mm]	Kvs value [m ³ /h]
15	40	4
20	65	11,5
25	65	14
32	92	35
40	92	43
50	115	72
65	168	141
80	168	195
100	202	304
125	202	298
150	280	601
200	280	478
250	415	1166
300	415	1260

Table 9: Flow coefficients for unlined valves with threaded socket ends

DN	MD ¹⁰⁾ [mm]	Kvs value [m ³ /h]
15	40	7,6
20	40	7,4
25	65	28,3
32	65	29
40	65	28
50	92	66,5
65	115	114
80	168	234

⁹⁾ This certification only applies to versions with threaded socket ends and EPDM diaphragm or 2-piece TFM/EPDM diaphragm.

¹⁰⁾ MD = diaphragm diameter

Pressure/temperature ratings

Table 10: Permissible operating pressure [bar]

PN	Material		[°C]							
	Designation	Number	-10 to +50	+100	+110	+120	+130	+140	+150	+160
16	EN-GJS-400-18-LT	5.3103	16,0	16,0	16,0	16,0	15,8	15,6	14,0	12,0
	EN-GJL-250	5.1301	16,0	16,0	16,0	16,0	15,4	14,9	14,0	12,0
	GP240GH	1.0619	16,0	14,8	14,6	14,4	14,3	14,1	14,0	12,0
	GX2CrNiMo19-11-2	1.4409	16,0	15,1	14,8	14,5	14,2	13,9	13,7	12,0
10 ¹¹⁾	EN-GJS-400-18-LT	5.3103	10,0	10,0	10,0	10,0	9,9	9,8	9,0	8,0

If a combination of different pressure enclosure materials is used, the respectively lowest permissible operating pressure shall apply.

¹¹ DN 250-300

Materials

Materials of SISTO-16 manually operated valve with flanged ends

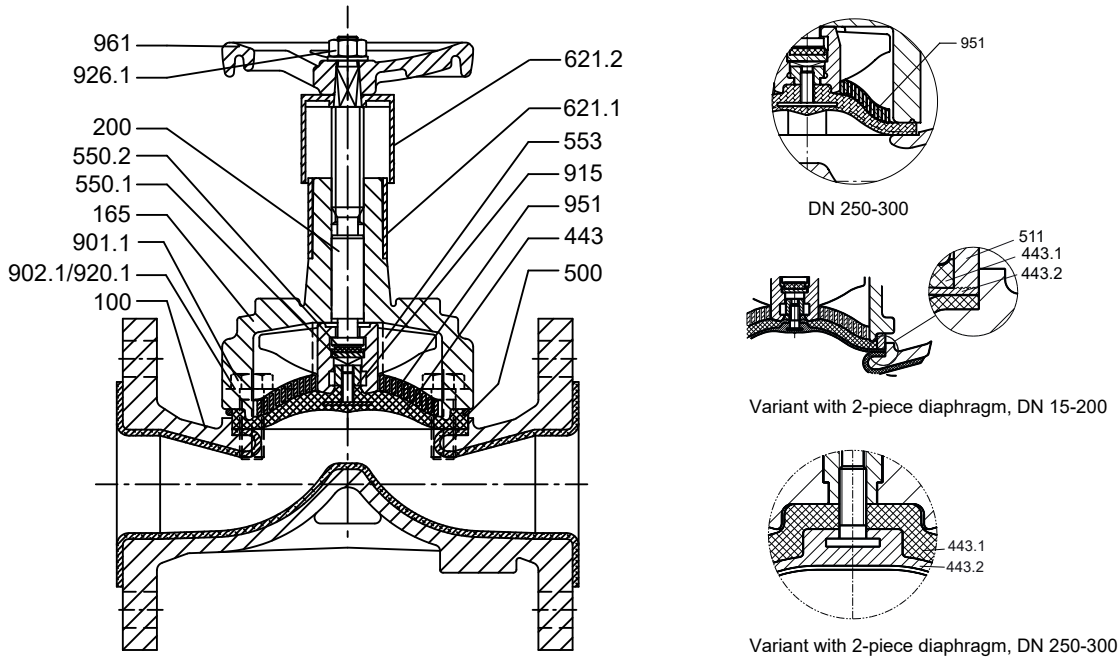


Fig. 1: SISTO-16 manually operated valve with flanged ends

Table 11: Parts list

Part No.	Description	MD ¹²⁾	Material	Material number	Note
100	Body	40	EN-GJS-400-18-LT	5.3103	NRH = 1.0619
		65 - 280	EN-GJL-250	5.1301	DN 200 = 5.3103
		415	EN-GJS-400-18-LT	5.3103	-
165	Bonnet	40	GP240GH	1.0619	-
		65 - 415	EN-GJL-250	5.1301	-
200	Stem	40 - 415	X14CrMo517	1.4104	-
443 ¹³⁾	Diaphragm	40 - 415	EPDM	-	Standard
443.1 ¹³⁾	Backing diaphragm	40 - 415	EPDM	-	-
443.2 ¹³⁾	Diaphragm	40 - 415	TFM	-	-
500	Ring	40 - 280	Galvanised steel	-	-
511	Backing ring	40 - 280	Steel	-	-
550.1	Bearing disc	92 - 415	Steel	-	-
550.2	PTFE disc	40, 92 - 415	PTFE/graphite	-	-
553	Compressor	40	GP240GH	1.0619	-
		65	GD-ZnAl4Cu1	2.2141.05	-
		92 - 280	EN-GJS-400-15	5.3106	-
		415	EN-GJL-250	5.1301	-
621.1	Position indicator, lower part	40 - 415	ASA Luran	-	-
621.2	Position indicator, upper part	40 - 415	ASA Luran	-	-
901.1	Hexagon head bolt	40 - 280	A2	-	-
902.1	Stud	415	A2	-	-
915	Floating nut	40 - 415	Steel	-	-
920.1	Nut	415	A2	-	-
926.1	Prevailing torque nut	40 - 415	A2	-	-
951	Support spiral	65 - 415	Steel	-	-
961	Handwheel	40	Plastic	-	-

¹²⁾ MD = diaphragm diameter

¹³⁾ Recommended spare parts

Part No.	Description	MD ¹²⁾	Material	Material number	Note
961	Handwheel	65 - 415	EN-GJL-200	5.1300	-

Materials of SISTO-16 manually operated valve with threaded socket ends

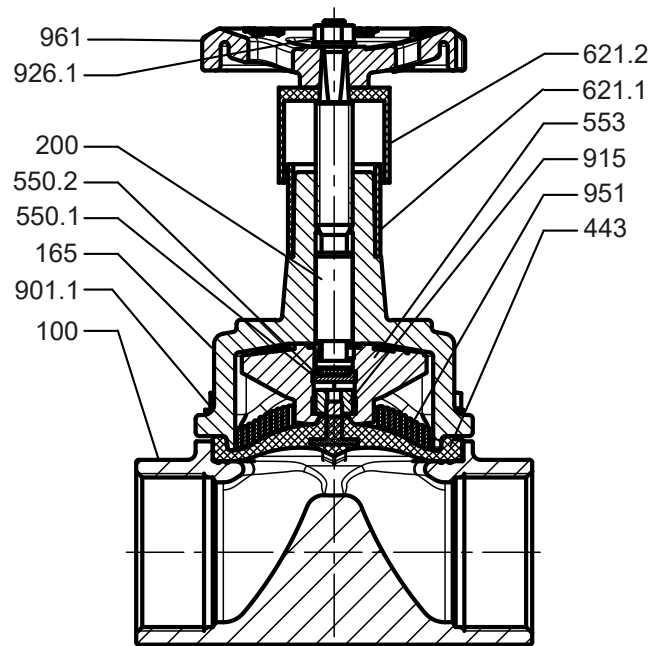


Fig. 2: SISTO-16 manually operated valve with threaded socket ends, DN 15-80

Table 12: Parts list

Part No.	Description	MD ¹⁴⁾	Material	Material number	Note
100	Body	40 - 168	GX2CrNiMo19-11-2	1.4409	-
165	Bonnet	40	GP240GH	1.0619	-
		65 - 168	EN-GJL-250	5.1301	-
200	Stem	40 - 168	X14CrMoS17	1.4104	-
443 ¹⁵⁾	Diaphragm	40 - 168	EPDM	-	Standard
550.1	Bearing disc	92 - 168	Steel	-	-
550.2	PTFE disc	40, 92 - 168	PTFE/graphite	-	-
553	Compressor	40	GP240GH	1.0619	-
		65	GD-ZnAl4Cu1	2.2141.05	-
		92 - 168	EN-GJS-400-15	5.3106	-
621.1	Position indicator, lower part	40 - 168	ASA Luran	-	-
621.2	Position indicator, upper part	40 - 168	ABS	-	-
901.1	Hexagon head bolt	40 - 168	A2	-	-
915	Floating nut	40 - 168	Steel	-	-
926.1	Prevailing torque nut	40 - 168	A2	-	-
951	Support spiral	65 - 168	Steel	-	-
961	Handwheel	40	Plastic	-	-
		65 - 168	EN-GJL-200	5.1300	-

8635.1/25-EN

¹⁴ MD = diaphragm diameter

¹⁵ Recommended spare parts

Materials of SISTO-LAD diaphragm actuator

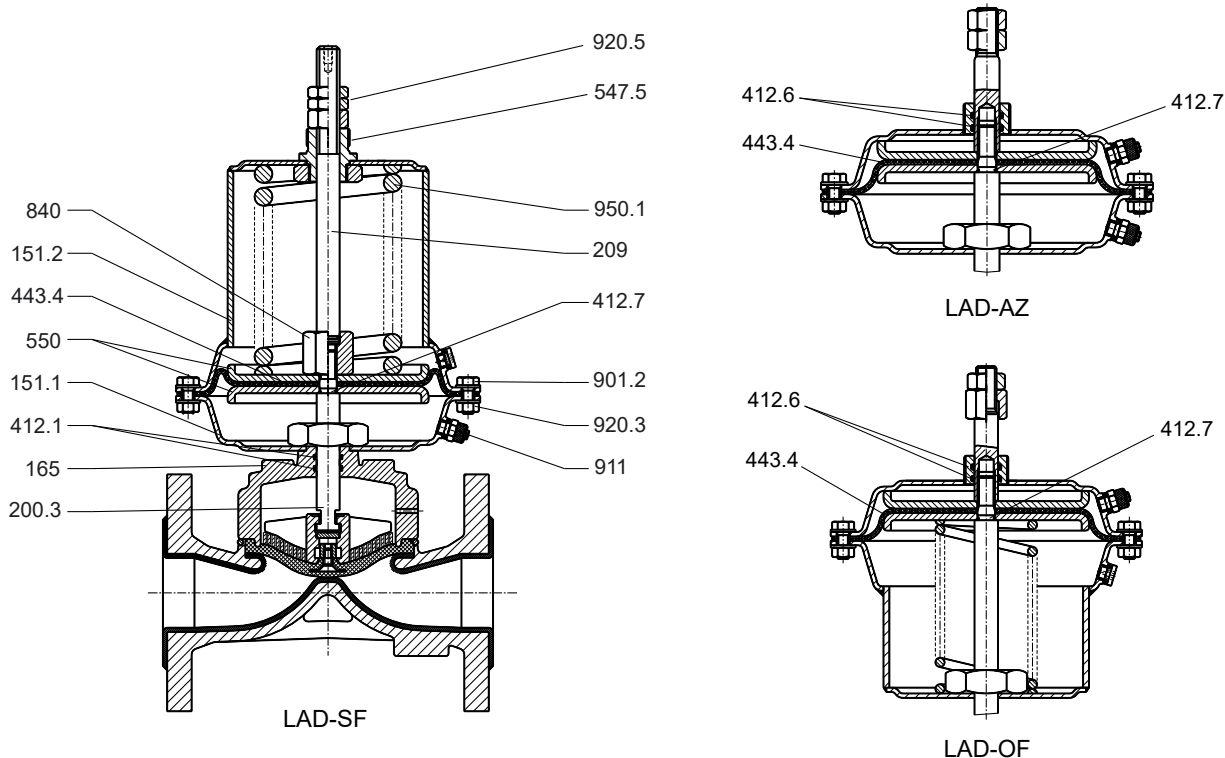


Fig. 3: SISTO-LAD diaphragm actuator

Table 13: Parts list

Part No.	Description	Material	Material number	Note
151.1	Lower housing section	Steel / PA-coated	-	-
151.2	Upper housing section	Steel / PA-coated	-	-
165	Bonnet	EN-GJS-400-18-LT	5.3103	-
200.3	Stem	X14CrMoS17	1.4104	-
209	Piston rod	X14CrMoS17	1.4104	-
412.1 ¹⁶⁾	O-ring	NBR	-	-
412.6 ^{16) 17)}	O-ring	NBR	-	-
412.7 ^{16) 17)}	O-ring	NBR	-	-
443.4 ¹⁶⁾	Actuator diaphragm	NBR	-	-
547.5	Guide bush	SoMs59	-	-
550 ¹⁷⁾	Diaphragm plate	Galvanised steel	-	-
840	Coupling	X14CrMoS17	1.4104	-
901.2	Hexagon head bolt	8.8 A2E	-	-
911	Compressed air port	Brass	-	For 8 x 1 polyamide (PA) hose
920.3	Nut	A2	-	-
920.5	Nut	A2	-	-
950.1	Spring	Spring steel	-	-

¹⁶⁾ Recommended spare parts (= complete set of sealing elements)

¹⁷⁾ We recommend having these parts replaced in our factory.

Materials of SISTO-LAP piston actuator

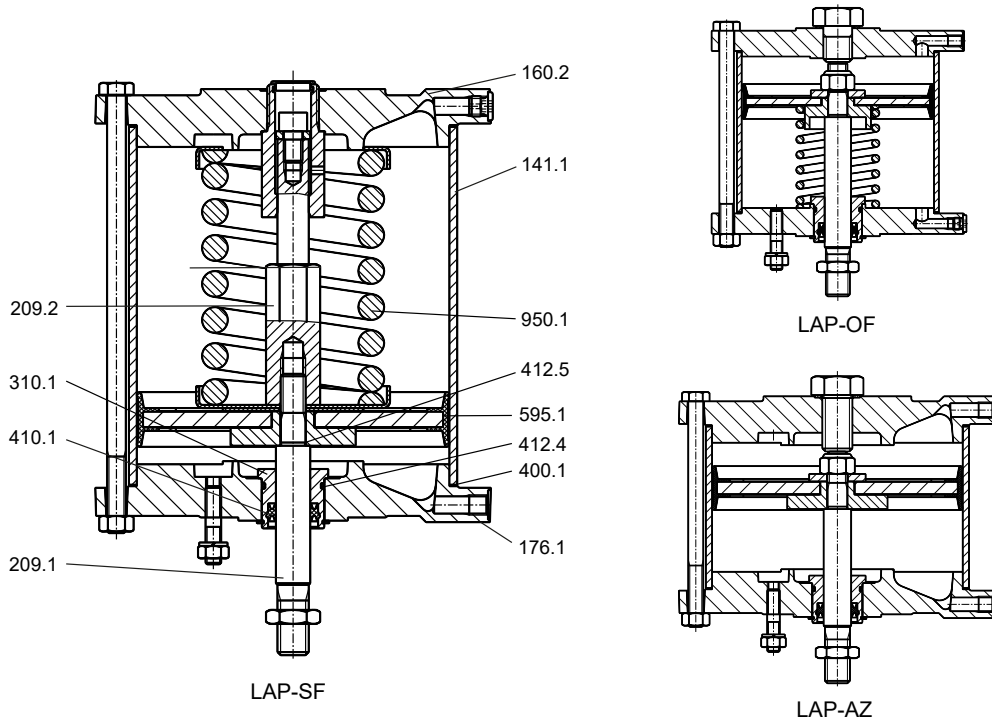


Fig. 4: SISTO-LAP piston actuator

Table 14: Parts list

Part No.	Description	Material	Material number	Piston diameter [mm]
141.1	Cylinder	AlMgSi	3.3206	80 - 300
160.2	Top end cap	AlCu4PbMgMn AlSi7Mg0,3	3.1645 3.2371	80 - 160 200 - 300
176.1	Bottom end cap	AlCu4PbMgMn AlSi7Mg0,3	3.1645 3.2371	80 - 160 200 - 300
209.1	Lower piston rod	Stainless steel - X14CrMoS17	1.4104	80 - 300
209.2	Upper piston rod	Stainless steel - X14CrMoS17	1.4104	80 - 300
310.1 ¹⁸⁾ ¹⁹⁾	Plain bearing	Plastic – POM	-	80 - 300
400.1 ¹⁸⁾ ¹⁹⁾	Gasket	Plastic – AFM 30	-	80 - 300
410.1 ¹⁸⁾ ¹⁹⁾	Seal/wiper set	Plastic – L96-SFR/NBR	-	80 - 300
412.4 ¹⁸⁾ ¹⁹⁾	O-ring	NBR	-	80 - 300
412.5 ¹⁸⁾ ¹⁹⁾	O-ring	NBR	-	80 - 300
558.1	Lock washer	A2	-	80 - 300
595.1 ¹⁸⁾ ¹⁹⁾	Piston assembly	Steel/acrylonitrile butadiene rubber – St/NBR	-	80 - 300
901.3	Hexagon head bolt	8.8 galvanised	-	80 - 300
902.2	Stud	8.8 galvanised	-	80 - 300
902.3	Stud	A2-70	-	80 - 300
920.3	Nut	A2	-	80 - 300
920.10	Nut	A2	-	80 - 300
950.1	Spring	Spring steel	-	80 - 300

8635.1/25-EN

¹⁸ Recommended spare parts (= complete set of sealing elements)

¹⁹ We recommend having these parts replaced in our factory.

Materials of the directly mounted SISTO-LAP.520 piston actuator

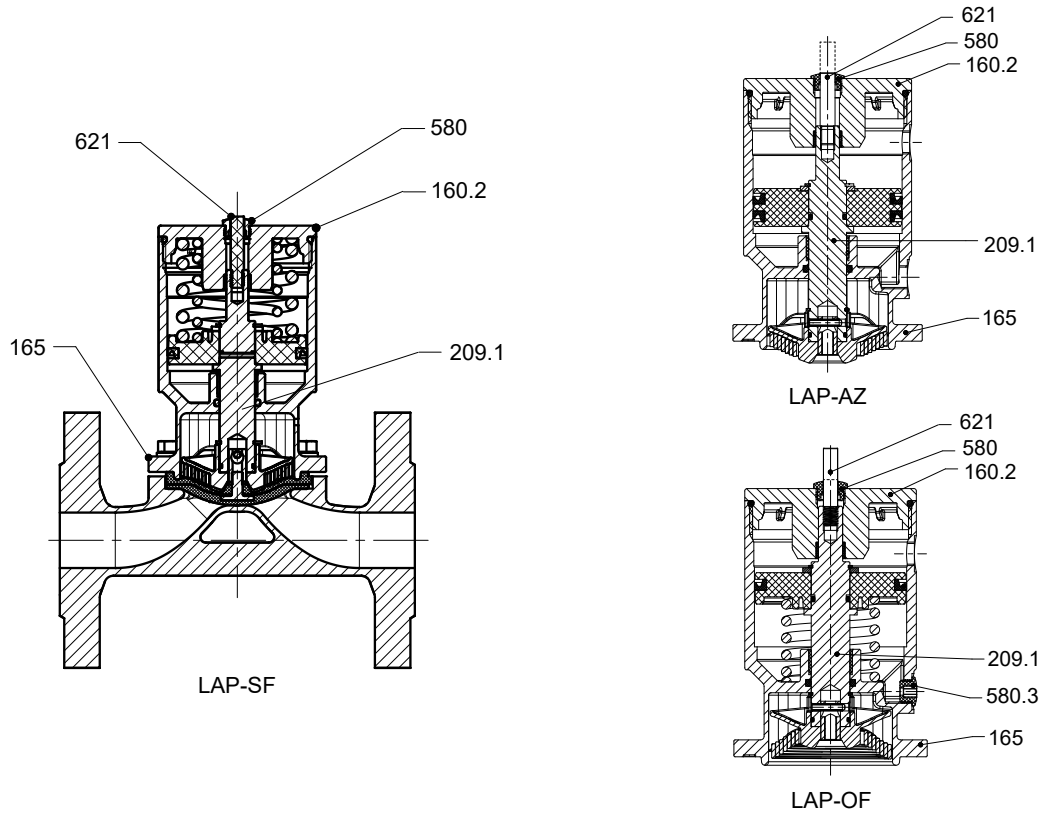


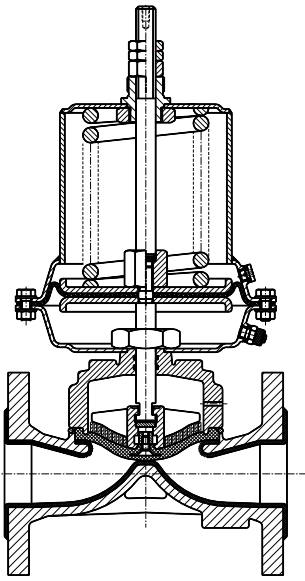
Fig. 5: Directly mounted SISTO-LAP.520 piston actuator

Table 15: Parts list

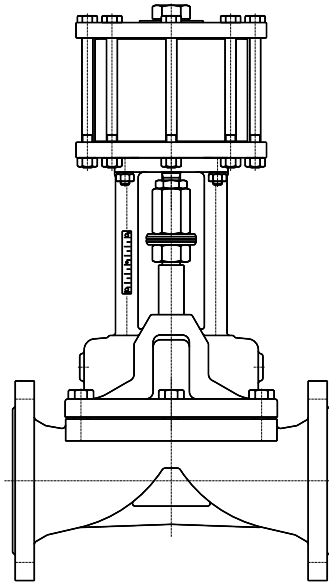
Part No.	Description	Material	Material number	Note
160.2	Cover	GX2CrNiMo19-11-2	1.4409	-
165	Bonnet	GX2CrNiMo19-11-2	1.4409	-
209.1	Piston rod	X8CrNiS18-9	1.4305	-
580	Cap	Plastic	-	-
580.3	Cap	Plastic	-	-
621	Position indicator	Plastic	-	-

Variants

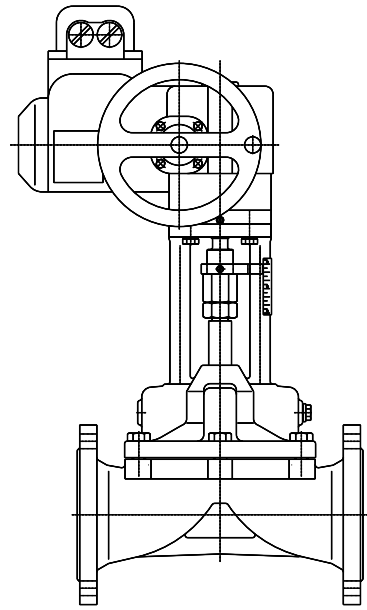
Illustrations of SISTO-16 manually operated valve variants



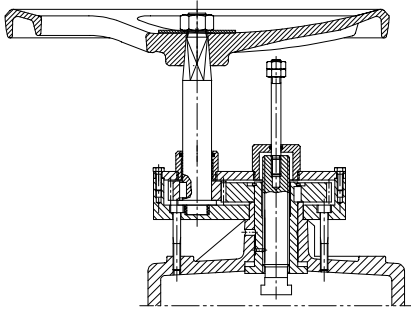
With SISTO-LAD



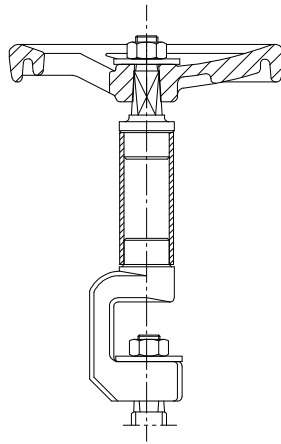
With SISTO-LAP



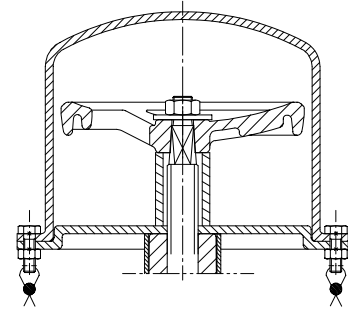
With electric actuator



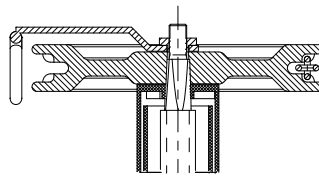
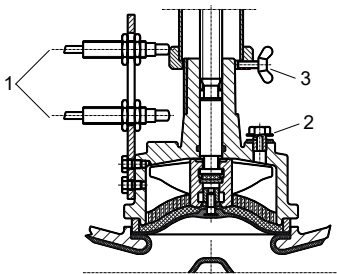
Gearbox



Stem extension



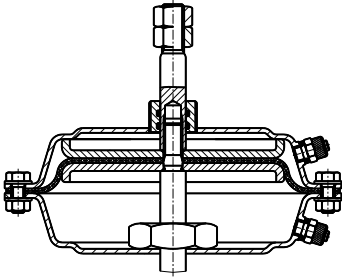
Lead-sealable cap



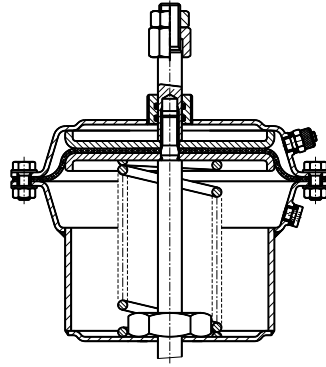
Chain wheel

- 1 Inductive limit switches
- 2 Leakage detection hole
- 3 Locking device

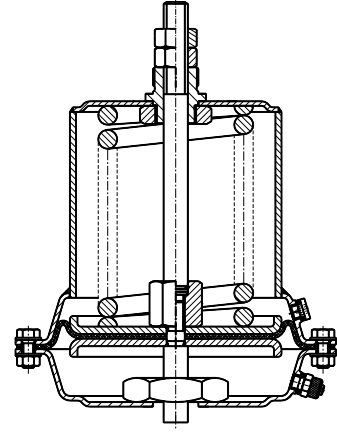
Variant illustrations of SISTO-LAD diaphragm actuator and accessories



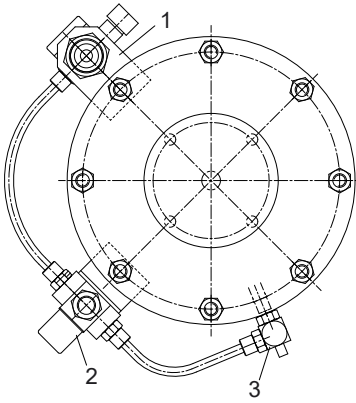
LAD-AZ type



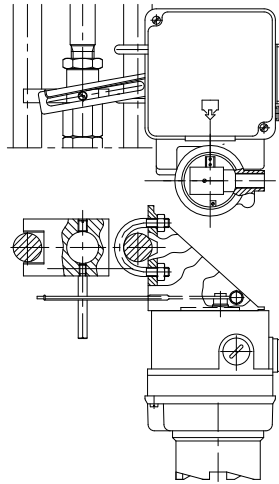
LAD-OF type



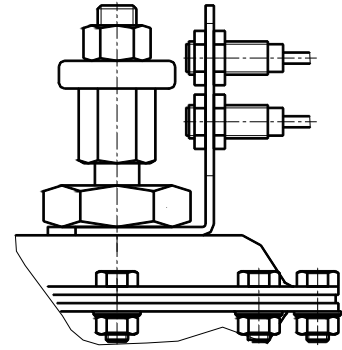
LAD-SF type



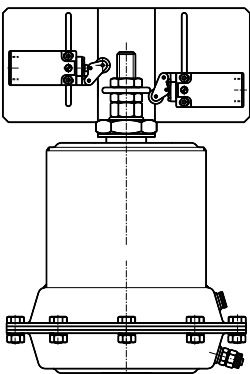
- 1 Filter/pressure reducer
- 2 Solenoid valve
- 3 Throttling valve



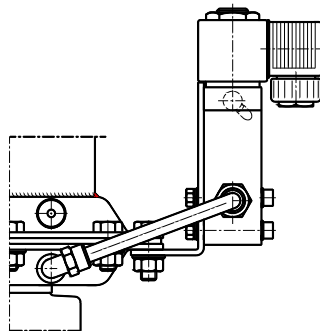
Configuration with positioner



Configuration with inductive limit switches

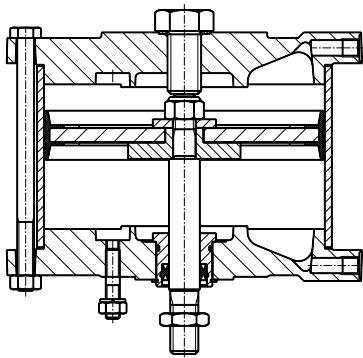


Configuration with mechanical limit switches

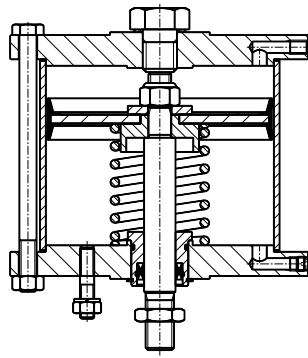


Configuration with solenoid valve

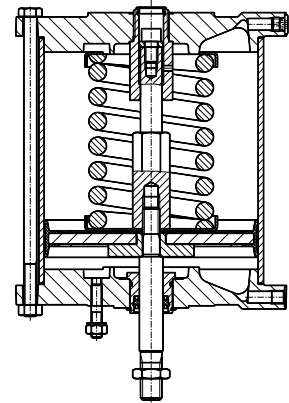
Variant illustrations of SISTO-LAP piston actuator and accessories



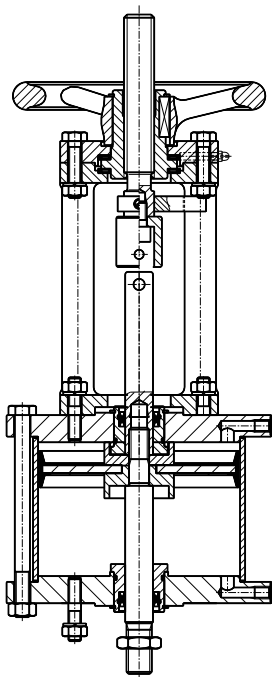
LAP-AZ type



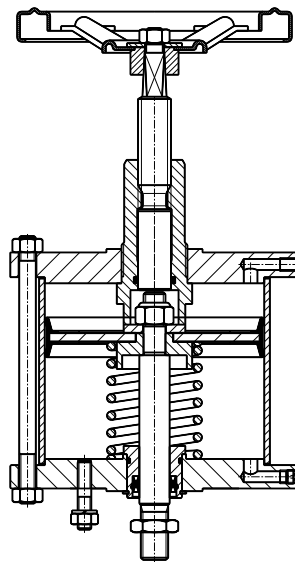
LAP-OF type



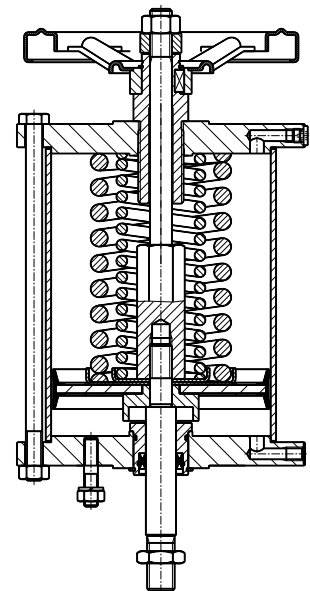
LAP-SF type



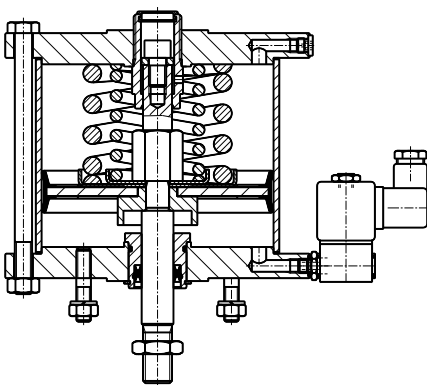
LAP-AZ type with emergency handwheel



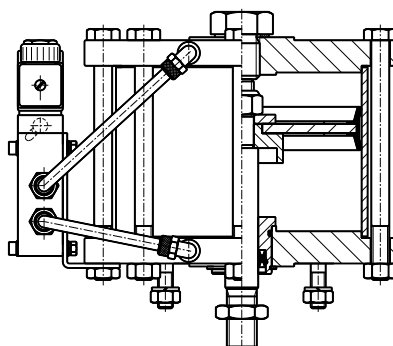
LAP-OF type with emergency handwheel



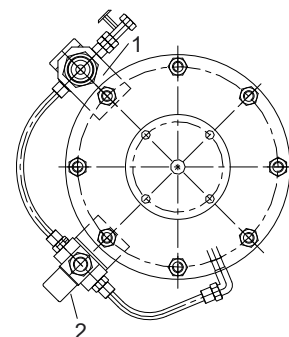
LAP-SF type with emergency handwheel



LAP-SF type with 3/2 directional control valve

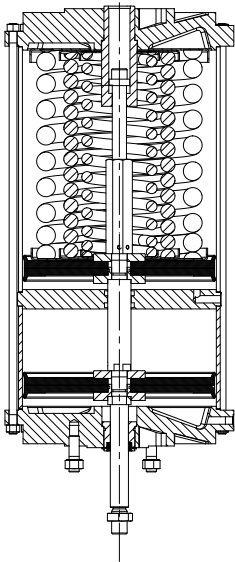


LAP-AZ type with 5/2 directional control valve

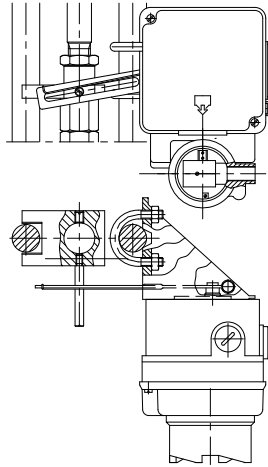


1 Filter/pressure reducer
2 Solenoid valve

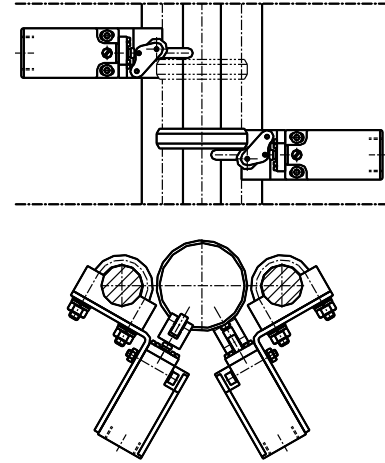
8635.1/25-EN



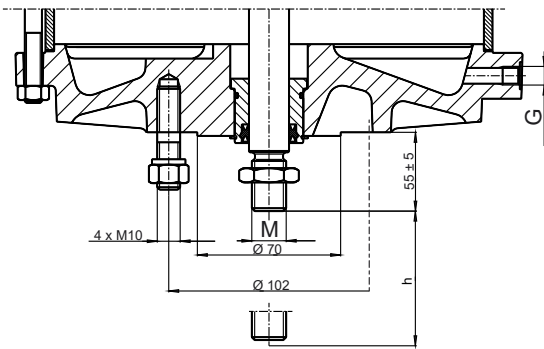
LAP-SF type with double piston



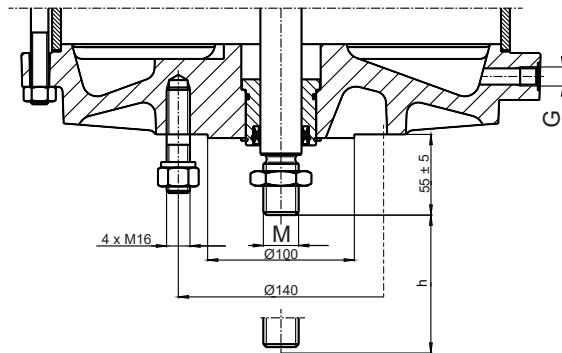
Configuration with positioner



Configuration with mechanical limit switches



Flange connection F10



Flange connection F14

Table 16: Symbols key

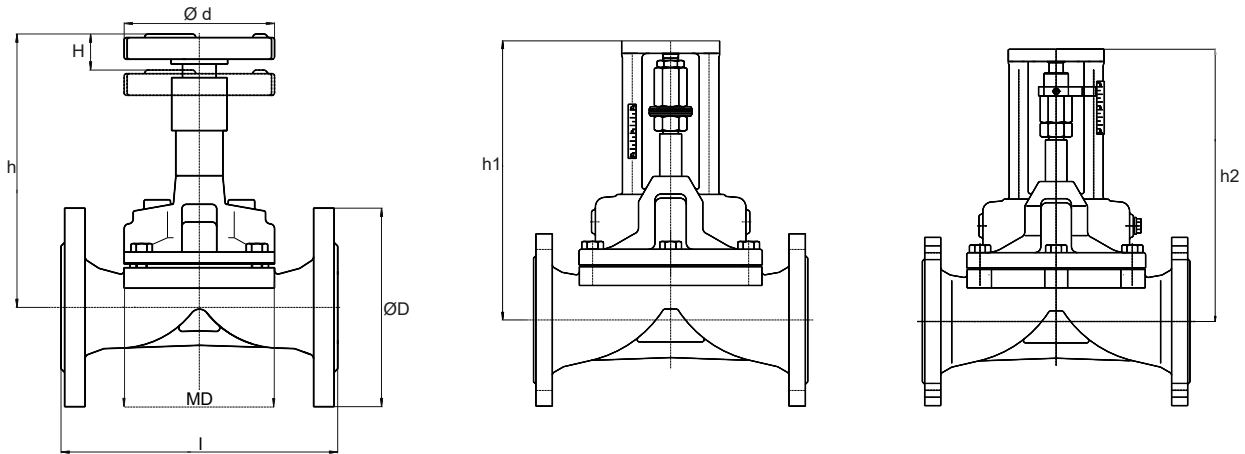
Symbol	Description
G	G1/8 in. for piston diameters 80/125/160 G1/4 in. for piston diameters 200/250/300
M	M12 for piston diameters 80/125 M20 for piston diameters 160 to 300 M24 for piston diameters D300/F14 optional

Mating dimensions as per standard

Flange connection: DIN ISO 5210 / DIN 3358
Pipe connection: DIN ISO 228 G1/8 in. and G1/4 in.

Dimensions and weights

Dimensions and weights of SISTO-16 manually operated valve with flanged ends



SISTO-16 manually operated valve with flanged ends, DN 15-300

Prepared for SISTO-LAP (from MD 65)

Prepared for electric actuator (from MD 65)

Table 17: Dimensions and weights

DN	MD ²⁰⁾ [mm]	l [mm]	Ø D [mm]	H [mm]	Manually operated valve				Prepared for actuator		
					h ²¹⁾ [mm]	Ø d [mm]	Turns of handwheel approx.	[kg]	Centre-to-top height SISTO-LAP h1 ²¹⁾ [mm]	Centre-to-top height Electric actuator h2 ²¹⁾	
									F07/F10 [mm]	F14 [mm]	
15	40	130	95	8	104	60	3	3,0	On request	On request	-
20	65	150	105	13	150	100	4	3,5	220	220	-
25	65	160	115	13	150	100	4	4,0	220	220	-
32	92	180	140	22	192	100	7	7,0	245	245	-
40	92	200	150	22	192	100	7	7,5	245	245	-
50	115	230	165	30	231	125	8	11,0	265	285	-
65	168	290	185	45	322	200 (250) ²²⁾	9	20,5	350	370	-
80	168	310	200	45	322	200 (250) ²²⁾	9	23,0	350	370	-
100	202	350	220	60	388	250 (315) ²²⁾	12	36,5	390	410	-
125	202	400	250	60	388	250 (315) ²²⁾	12	44,0	390	410	-
150	280	480	285	80	512	400 (500) ²²⁾	13	80,0	500	520	540
200 ²³⁾	280	600	340	80	512	400 (500) ²²⁾	13	95,0	500	520	540
250 ²⁴⁾	415	730	400	115	645	400	20	190,0	600	-	640
300 ²⁴⁾	415	850	445	115	645	400	20	210,0	600	-	640

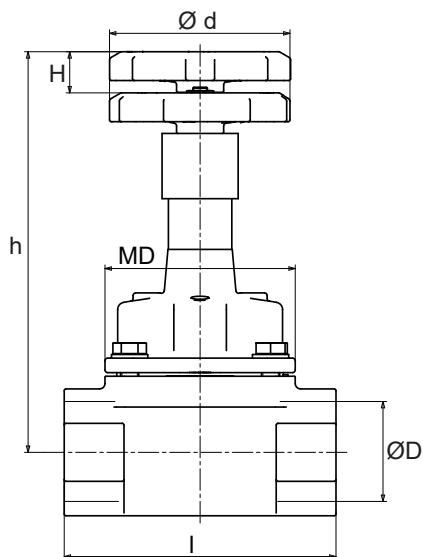
Mating dimensions as per standard

Face-to-face lengths: EN 558 R1
 Flanges: DIN EN 1092-2
 Flange facing: DIN EN 1092-2, type B

8635.1/25-EN

- 20 MD = diaphragm diameter
- 21 Add 5 mm to centre-to-top height for rubber-lined valves.
- 22 Optionally with a larger handwheel diameter for operating pressures > 10 bar, from DN 100, a gearbox can be used as an alternative.
- 23 Alternative: bolt hole pattern to DIN EN 1092-2 PN 10
- 24 Bolt hole pattern to DIN EN 1092-2 PN 10. Optional: gearbox for operating pressures > 5 bar.

Dimensions and weights of SISTO-16 manually operated valve with threaded socket ends



SISTO-16 manually operated valve with threaded socket ends
DN 15-80

Table 18: Dimensions and weights

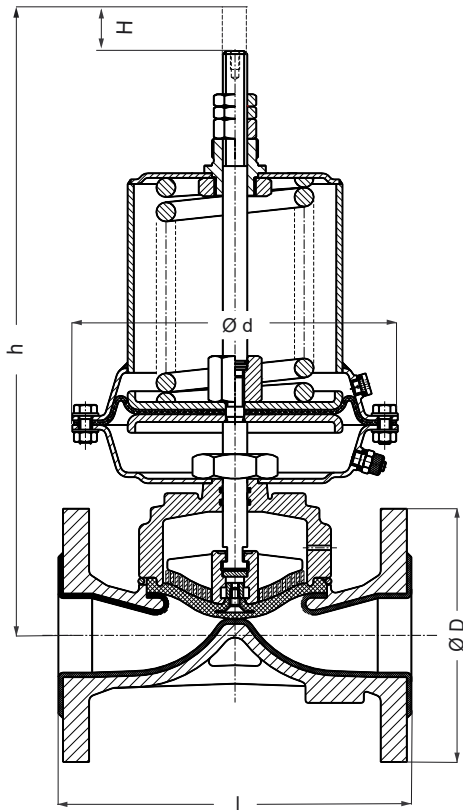
DN	MD ²⁵⁾ [mm]	Ø D [inch]	l [mm]	h [mm]	Ø d [mm]	H [mm]	[kg]
15	40	½	85	93	63	7	0,5
20	40	¾	95	96	63	7	0,6
25	65	1	105	151	100	13	2,5
32	65	1¼	120	154	100	13	2,5
40	65	1½	130	157	100	13	3,0
50	92	2	150	201	100	22	5,0
65	115	2½	185	248	125	30	8,0
80	168	3	220	329	200	45	16,5

Mating dimensions as per standard

Face-to-face lengths: DIN EN 16722
Pipe threads: DIN EN 10226-1 (ISO 7/1)

²⁵⁾ MD = diaphragm diameter

Dimensions and weights of SISTO-LAD diaphragm actuator



Diaphragm valve with SISTO-LAD

Table 19: Dimensions and weights (for material 5.3103/1.0619)

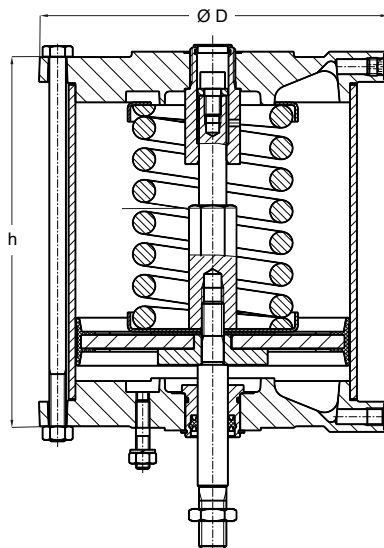
DN	MD ²⁶⁾ [mm]	l [mm]	Ø D [mm]	H [mm]	AZ/OF/SF	AZ	OF	SF	AZ/OF/SF	AZ	OF	SF /	AZ/OF/SF	AZ	OF	SF /	LAD-SF type		
					Actuator size 100			Actuator size 150			Actuator size 220			100	150	220			
					Ø d [mm]	h ²⁷⁾²⁸⁾ [mm]	Ø d [mm]	h ²⁷⁾²⁸⁾ [mm]	Ø d [mm]	h ²⁷⁾²⁸⁾ [mm]	[kg]	[kg]	[kg]						
15	40	130	95	8	160	165	225	225	210	-	-	-	-	-	-	-	9,5	-	-
20	65	150	105	13	160	165	225	225	210	205	275	325	-	-	-	-	10,0	12,0	-
25	65	160	115	13	160	165	225	225	210	205	275	325	-	-	-	-	11,0	13,0	-
32	92	180	140	22	160	210	270	270	210	210	280	330	307	350	520	520	12,5	14,5	-
40	92	200	150	22	160	210	270	270	210	210	280	330	307	350	520	520	15,0	17,0	-
50	115	230	165	30	-	-	-	-	210	210	280	330	307	370	540	540	-	20,5	26,5
65	168	290	185	45	-	-	-	-	-	-	-	-	307	430	600	600	-	-	34,0
80	168	310	200	45	-	-	-	-	-	-	-	-	307	430	600	600	-	-	40,0
100	202	350	220	60	-	-	-	-	-	-	-	-	307	530	700	700	-	-	54,0
125	202	400	250	60	-	-	-	-	-	-	-	-	307	530	700	700	-	-	68,0

²⁶⁾ MD = diaphragm diameter

²⁷⁾ Add 5 mm to centre-to-top height for rubber-lined valves.

²⁸⁾ Add 50 mm to centre-to-top height for limit switch configuration.

Dimensions and weights of SISTO-LAP piston actuator



SISTO-LAP

Table 20: Dimensions and weights for actuator function: air-to-open/air-to-close (AZ)

Type	Stroke [mm]	Ø D [mm]	h [mm]	[kg]
LAP-AZ-80-F10	15	130	111	4
LAP-AZ-80-F10	30	130	131	5
LAP-AZ-125-F10	15	170	131	6
LAP-AZ-125-F10	30	170	131	7
LAP-AZ-125-F10	45	170	151	8
LAP-AZ-125-F10	60	170	151	9
LAP-AZ-160-F10	30	210	168	11
LAP-AZ-160-F10	45	210	168	11
LAP-AZ-160-F10	60	210	188	12
LAP-AZ-200-F10	30	255	170	17
LAP-AZ-200-F10	45	255	190	17
LAP-AZ-200-F10	60	255	210	18
LAP-AZ-200-F10	80	255	230	20
LAP-AZ-250-F10	60	305	240	25
LAP-AZ-250-F10	80	305	260	28
LAP-AZ-250-F14	60	305	260	28
LAP-AZ-250-F14	80	305	260	28
LAP-AZ-300-F10	60	355	254	32
LAP-AZ-300-F10	80	355	274	35
LAP-AZ-300-F14	60	355	254	32
LAP-AZ-300-F14	80	355	274	35
LAP-AZ-D250-F14	80	355	424	47
LAP-AZ-D300-F14	80	355	432	61

Table 21: Dimensions and weights for actuator function: spring-to-open/air-to-close (OF)

Type	Stroke [mm]	Ø D [mm]	h [mm]	[kg]
LAP-OF-80.101-F10	15	130	151	5
LAP-OF-80.101-F10	30	130	151	6
LAP-OF-125.101-F10	15	170	151	7
LAP-OF-125.101-F10	30	170	151	8
LAP-OF-160.102-F10	30	210	188	12
LAP-OF-160.102-F10	45	210	208	13
LAP-OF-200.102-F10	30	255	210	19
LAP-OF-200.102-F10	45	255	210	19
LAP-OF-200.001-F10	45	255	310	22
LAP-OF-200.001-F10	60	255	330	23

Type	Stroke [mm]	Ø D [mm]	h [mm]	[kg]
LAP-OF-250.002-F10	60	305	380	32
LAP-OF-250.002-F10	80	305	400	35
LAP-OF-250.002-F14	60	305	400	32
LAP-OF-250.002-F14	80	305	400	35
LAP-OF-300.002-F10	60	355	414	51
LAP-OF-300.012-F14	80	355	434	53
LAP-OF-D250.012-F14	80	305	504	54
LAP-OF-D300.012-F14	80	355	572	74

Table 22: Dimensions and weights for actuator function: air-to-open/spring-to-close (SF)

Type	Stroke [mm]	Ø D [mm]	h [mm]	[kg]
LAP-SF-80.001.5-F10	15	130	171	6
LAP-SF-80.001-F10	30	130	271	7
LAP-SF-125.002.5-F10	15	170	212	10
LAP-SF-125.002-F10	30	170	271	12
LAP-SF-160.012-F10	30	210	274	18
LAP-SF-160.012-F10	45	210	310	19
LAP-SF-200.003.5-F10	30	255	290	28
LAP-SF-200.003.7-F10	45	255	350	32
LAP-SF-200.003-F10	60	255	450	35
LAP-SF-200.003-F10	80	255	470	37
LAP-SF-250.004.7-F10	45	305	380	42
LAP-SF-250.004-F10	60	305	480	45
LAP-SF-250.004-F10	80	305	500	48
LAP-SF-250.004-F14	60	305	380	42
LAP-SF-250.004-F14	80	305	500	49
LAP-SF-300.034-F10	60	355	514	67
LAP-SF-300.034-F14	80	355	535	75
LAP-SF-D300.005-F14	80	355	732	99
LAP-SF-D300.034-F10	80	355	693	81
LAP-SF-D300.345-F14	80	355	732	122

Dimensions and weights of diaphragm valve with directly mounted SISTO-LAP.520 piston actuator

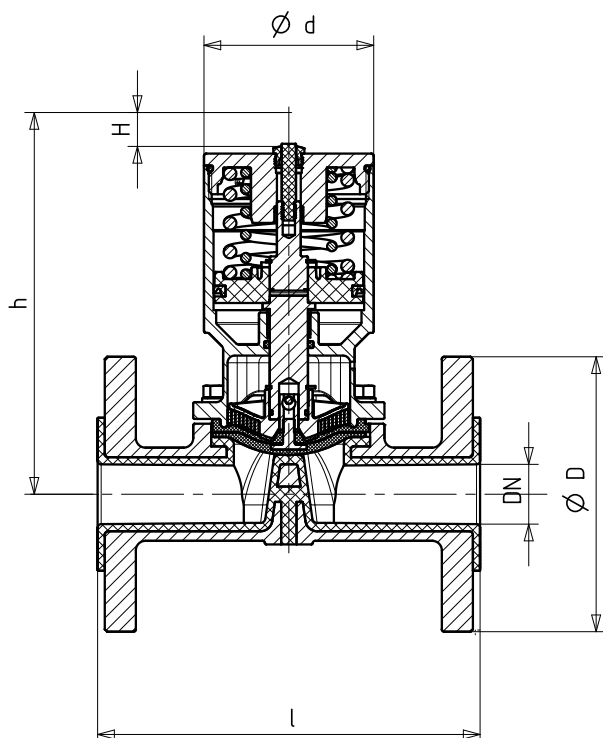


Fig. 6: Diaphragm valve with directly mounted SISTO-LAP.520 piston actuator

Table 23: Dimensions and weights for materials 5.3103/1.0619, type LAP.520

DN	MD ²⁹ [mm]	l [mm]	Ø D [mm]	H [mm]	h [mm]	Ø d [mm]	LAP.520	[kg]
15	40	130	95	7	109	46	K40	2,6
20	65	150	105	13	149	71	K63	5,0
25	65	160	115	13	158	71	K63	6,0
32	92	180	140	22	213	89	K80	10,0
40	92	200	150	22	217	89	K80	10,5
50	115	230	165	30	250	122	K100	15,0
65	168	290	185	45	421	167	K160	40,0
80	168	310	200	45	421	167	K160	43,0
100	202	350	220	60	498	210	K200	63,0
125	202	400	250	60	498	210	K200	70,0

²⁹ MD = diaphragm diameter

Technical data

Actuator size of SISTO-LAD diaphragm actuator

Selection table for maximum permissible operating pressure in bar for SISTO-16 valve with elastomer diaphragm

Minimum required control pressure: 4 bar / maximum permissible control pressure: 6 bar

Table 24: Symbols key

Symbol	Description
↑	Select smaller actuator.
↓	Select larger actuator.

Table 25: Operating pressure [bar] for actuator function air-to-open/air-to-close (AZ)

Actuator size	Stroke [mm]	MD ³⁰⁾ 40	MD 65	MD 92	MD 115	MD 168	MD 202
LAD-AZ-100	20	16	16	9	↓	↓	↓
LAD-AZ-150	35	↑	↑	16	11	↓	↓
LAD-AZ-220	56	↑	↑	↑	16	13	7

Table 26: Operating pressure [bar] for actuator function spring-to-open/air-to-close (OF)

Actuator size	Stroke [mm]	MD ³⁰⁾ 40	MD 65	MD 92	MD 115	MD 168	MD 202
LAD-OF-100.014	20	16	14	7	↓	↓	↓
LAD-OF-150.102	35	↑	16	16	9	↓	↓
LAD-OF-220.001	56	↑	↑	↑	16	10	5

Table 27: Operating pressure [bar] for actuator function air-to-open/spring-to-close (SF)

Actuator size	Stroke [mm]	MD ³⁰⁾ 40	MD 65	MD 92	MD 115	MD 168	MD 202
LAD-SF-100.001.5	20	16	9	4	↓	↓	↓
LAD-SF-150.002	35	↑	16	13	7	↓	↓
LAD-SF-220.003.7	56	↑	↑	↑	16	8	3
LAD-SF-220.004.7S ³¹⁾	56	↑	↑	↑	↑	10	4

Selection table for maximum permissible operating pressure in bar for SISTO-16 valve with TFM diaphragm

Minimum required control pressure: 4 bar / maximum permissible control pressure: 6 bar

Table 28: Operating pressure [bar] for actuator function air-to-open/air-to-close (AZ)

Actuator size	Stroke [mm]	MD ³⁰⁾ 40	MD 65	MD 92	MD 115	MD 168	MD 202
LAD-AZ-100	20	16	12	↓	↓	↓	↓
LAD-AZ-150	35	↑	16	16	6	↓	↓
LAD-AZ-220	56	↑	↑	↑	15	7	↓

Table 29: Operating pressure [bar] for actuator function spring-to-open/air-to-close (OF)

Actuator size	Stroke [mm]	MD ³⁰⁾ 40	MD 65	MD 92	MD 115	MD 168	MD 202
LAD-OF-100.014	20	16	10	↓	↓	↓	↓
LAD-OF-150.102	35	↑	16	14	5	↓	↓
LAD-OF-220.001	56	↑	↑	16	13	3	↓

Table 30: Operating pressure [bar] for actuator function air-to-open/spring-to-close (SF)

Actuator size	Stroke [mm]	MD ³⁰⁾ 40	MD 65	MD 92	MD 115	MD 168	MD 202
LAD-SF-100.001.5	20	16	4	↓	↓	↓	↓
LAD-SF-150.002	35	↑	16	9	3	↓	↓
LAD-SF-220.003.7	56	↑	↑	16	8	↓	↓
LAD-SF-220.004.7S ³¹⁾	56	↑	↑	↑	16	5	2

Other selection options on request

³⁰ MD = diaphragm diameter

³¹ Min. control pressure: 5 bar

Actuator size of SISTO-LAP piston actuator

Selection table for maximum permissible operating pressure in bar for SISTO-16 valve with elastomer diaphragm

Minimum required control pressure: 5.5 bar / maximum permissible control pressure: 10 bar

Table 31: Symbols key

Symbol	Description
↑	Select smaller actuator.
↓	Select larger actuator.

Table 32: Operating pressure [bar] for actuator function air-to-open/air-to-close (AZ)

Actuator size	Stroke [mm]	MD ³²⁾ 65	MD 92	MD 115	MD 168	MD 202	MD 280
LAP-AZ-80-F10	15/30	12	7	3	↓	↓	↓
LAP-AZ-125-F10	15/30	16	16	10	↓	↓	↓
LAP-AZ-125-F10	45/60	↑	↑	↑	5	↓	↓
LAP-AZ-160-F10	30	↑	↑	16	↓	↓	↓
LAP-AZ-160-F10	45/60	↑	↑	↑	9	5	↓
LAP-AZ-200-F10	30/45	↑	↑	↑	15	↓	↓
LAP-AZ-200-F10	60/80	↑	↑	↑	↑	8	3
LAP-AZ-250-F10/F14	60/80	↑	↑	↑	16	12	6
LAP-AZ-300-F10/F14	60/80	↑	↑	↑	↑	16	9
LAP-AZ-D250-F14	80	↑	↑	↑	↑	↑	12
LAP-AZ-D300-F14 ³³⁾	80	↑	↑	↑	↑	↑	16

Table 33: Operating pressure [bar] for actuator function spring-to-open/air-to-close (OF)

Actuator size	Stroke [mm]	MD ³²⁾ 65	MD 92	MD 115	MD 168	MD 202	MD 280
LAP-OF-80.101-F10	15/30	8	4	2	↓	↓	↓
LAP-OF-125.101-F10	15/30	16	16	8	↓	↓	↓
LAP-OF-160.102-F10	30/45	↑	↑	16	8	↓	↓
LAP-OF-200.102-F10	30/45	↑	↑	↑	14	↓	↓
LAP-OF-200.001-F10	45/60	↑	↑	↑	↑	6	↓
LAP-OF-250.002-F10/F14	60/80	↑	↑	↑	16	9	4
LAP-OF-300.002-F10 ³³⁾	60	↑	↑	↑	↑	15	↓
LAP-OF-300.012-F14	80	↑	↑	↑	↑	↑	7
LAP-OF-D250.012-F14	80	↑	↑	↑	↑	16	10
LAP-OF-D300.012-F14 ³³⁾	80	↑	↑	↑	↑	↑	16

Table 34: Operating pressure [bar] for actuator function air-to-open/spring-to-close (SF)

Actuator size	Stroke [mm]	MD ³²⁾ 65	MD 92	MD 115	MD 168	MD 202	MD 280
LAP-SF-80.001.5-F10	15	8	↓	↓	↓	↓	↓
LAP-SF-80.001-F10	30	↑	5	2	↓	↓	↓
LAP-SF-125.002.5-F10	15	16	↓	↓	↓	↓	↓
LAP-SF-125.002-F10	30	↑	13	6	↓	↓	↓
LAP-SF-160.012-F10	30/45	↑	16	10	4	↓	↓
LAP-SF-200.003.5-F10	30	↑	↑	14	↓	↓	↓
LAP-SF-200.003.7-F10	45	↑	↑	16	9	↓	↓
LAP-SF-200.003-F10	60/80	↑	↑	↑	↓	4	↓
LAP-SF-250.004.7-F10	45	↑	↑	↑	14	↓	↓
LAP-SF-250.004F10/F14	60/80	↑	↑	↑	↓	7	3
LAP-SF-300.034-F10	60	↑	↑	↑	16	11	↓
LAP-SF-300.034-F14	80	↑	↑	↑	↑	↓	5
LAP-SF-D300.005-F14	80	↑	↑	↑	↑	16	8
LAP-SF-D300.345-F14	80	↑	↑	↑	↑	↑	11

Other selection options on request

³²⁾ MD = diaphragm diameter

³³⁾ Max. control pressure: 7 bar

Actuator size of SISTO-LAP piston actuator

Selection table for maximum permissible operating pressure in bar for SISTO-16 valve with TFM diaphragm

Minimum required control pressure: 5.5 bar / maximum permissible control pressure: 10 bar

Table 35: Symbols key

Symbol	Description
↑	Select smaller actuator.
↓	Select larger actuator.

Table 36: Operating pressure [bar] for actuator function air-to-open/air-to-close (AZ)

Actuator size	Stroke [mm]	MD ³⁴⁾ 65	MD 92	MD 115	MD 168	MD 202	MD 280
LAP-AZ-80-F10	15/30	10	↓	↓	↓	↓	↓
LAP-AZ-125-F10	15/30	16	16	5	↓	↓	↓
LAP-AZ-160-F10	30	↑	↑	10	↓	↓	↓
LAP-AZ-160-F10	45/60	↑	↑	↑	3	↓	↓
LAP-AZ-200-F10	30/45	↑	↑	16	9	↓	↓
LAP-AZ-200-F10	60/80	↑	↑	↑	↓	3	↓
LAP-AZ-250-F10/F14	60/80	↑	↑	↑	16	10	↓
LAP-AZ-300-F10/F14	60/80	↑	↑	↑	↑	16	5
LAP-AZ-D250-F14	80	↑	↑	↑	↑	↑	10
LAP-AZ-D300-F14 ³⁵⁾	80	↑	↑	↑	↑	↑	16

Table 37: Operating pressure [bar] for actuator function spring-to-open/air-to-close (OF)

Actuator size	Stroke [mm]	MD ³⁴⁾ 65	MD 92	MD 115	MD 168	MD 202	MD 280
LAP-OF-80.101-F10	15/30	5	↓	↓	↓	↓	↓
LAP-OF-125.101-F10	15/30	16	↓	↓	↓	↓	↓
LAP-OF-160.102-F10	30/45	↑	16	8	↓	↓	↓
LAP-OF-200.102-F10	30/45	↑	↑	16	↓	↓	↓
LAP-OF-200.001-F10	45/60	↑	↑	↑	6	↓	↓
LAP-OF-250.002-F10/F14	60/80	↑	↑	↑	12	3	↓
LAP-OF-300.002-F10 ³⁵⁾	60	↑	↑	↑	16	11	↓
LAP-OF-300.012-F14	80	↑	↑	↑	↑	↑	2
LAP-OF-D250.012-F14	80	↑	↑	↑	↑	16	8
LAP-OF-D300.012-F14 ³⁵⁾	80	↑	↑	↑	↑	↑	16

Table 38: Operating pressure [bar] for actuator function air-to-open/spring-to-close (SF)

Actuator size	Stroke [mm]	MD ³⁴⁾ 65	MD 92	MD 115	MD 168	MD 202	MD 280
LAP-SF-80.001.5-F10	15	4	↓	↓	↓	↓	↓
LAP-SF-125.002.5-F10	15	16	↓	↓	↓	↓	↓
LAP-SF-125.002-F10	30	↑	8	3	↓	↓	↓
LAP-SF-160.012-F10	30/45	↑	16	5	↓	↓	↓
LAP-SF-200.003.5-F10	30	↑	↑	7	↓	↓	↓
LAP-SF-200.003.7-F10	45	↑	↑	9	3	↓	↓
LAP-SF-250.004.7-F10	45	↑	↑	16	8	↓	↓
LAP-SF-250.004-F10	60	↑	↑	↑	↑	5	↓
LAP-SF-300.034-F10	60	↑	↑	↑	16	12	↓
LAP-SF-D300.034-F10 ³⁵⁾	60	↑	↑	↑	16	12	↓
LAP-SF-D300.005-F14	80	↑	↑	↑	↑	↑	5
LAP-SF-D300.345-F14	80	↑	↑	↑	↑	↑	10

Other selection options on request

³⁴ MD = diaphragm diameter

³⁵ Max. control pressure: 7 bar

Actuator size of directly mounted SISTO-LAP.520 piston actuator

Selection table for maximum permissible operating pressure in bar for SISTO-16 valve with elastomer diaphragm

Minimum required control pressure: 5.5 bar / maximum permissible control pressure: 7 bar

Table 39: Symbols key

Symbol	Description
↑	Select smaller actuator.
↓	Select larger actuator.

Table 40: Operating pressure [bar] for actuator function air-to-open/air-to-close (AZ)

Actuator size	Stroke [mm]	MD 40 ³⁶⁾	MD 65	MD 92	MD 115	MD 168
LAP.520 AZ K40	7	16	↓	↓	↓	↓
LAP.520 AZ K50	7	16	↓	↓	↓	↓
LAP.520 AZ K63	13	↑	9	↓	↓	↓
LAP.520 AZ K80	13	↑	16	↓	↓	↓
LAP.520 AZ K80	21	↑	↑	8	↓	↓
LAP.520 AZ K100	21	↑	↑	13	↓	↓
LAP.520 AZ K100	24	↑	↑	↑	7	↓
LAP.520 AZ K160	24	↑	↑	↑	16	↓
LAP.520 AZ K160	45	↑	↑	↑	↑	10
LAP.520 AZ K200	45	↑	↑	↑	↑	16

Table 41: Operating pressure [bar] for actuator function spring-to-open/air-to-close (OF)

Actuator size	Stroke [mm]	MD 40 ³⁶⁾	MD 65	MD 92	MD 115	MD 168
LAP.520 OF K40	7	16	↓	↓	↓	↓
LAP.520 OF K50	7	16	↓	↓	↓	↓
LAP.520 OF K63	13	↑	6	↓	↓	↓
LAP.520 OF K80	13	↑	13	↓	↓	↓
LAP.520 OF K80	21	↑	↑	6	↓	↓
LAP.520 OF K100	21	↑	↑	10	↓	↓
LAP.520 OF K100	24	↑	↑	↑	6	↓
LAP.520 OF K160	24	↑	↑	↑	16	↓
LAP.520 OF K160	45	↑	↑	↑	↑	8
LAP.520 OF K200	45	↑	↑	↑	↑	14

Table 42: Operating pressure [bar] for actuator function air-to-open/spring-to-close (SF)

Actuator size	Stroke [mm]	MD ³⁶⁾ 40	MD 65	MD 92	MD 115	MD 168
LAP.520 SF K40	7	8	↓	↓	↓	↓
LAP.520 SF K50	7	16	↓	↓	↓	↓
LAP.520 SF K63	7	↑	↓	↓	↓	↓
LAP.520 SF K63	13	↑	6	↓	↓	↓
LAP.520 SF K80	13	↑	12	↓	↓	↓
LAP.520 SF K80	21	↑	↓	6	↓	↓
LAP.520 SF K100	13	↑	16	↓	↓	↓
LAP.520 SF K100	21	↑	↑	8	↓	↓
LAP.520 SF K100	24	↑	↑	↓	5	↓
LAP.520 SF K160	21	↑	↑	16	↓	↓
LAP.520 SF K160	24	↑	↑	↑	12	↓
LAP.520 SF K160	45	↑	↑	↑	↑	6
LAP.520 SF K200	45	↑	↑	↑	↑	9

Other selection options on request

³⁶⁾ MD = diaphragm diameter

Actuator size of directly mounted SISTO-LAP.520 piston actuator

Selection table for maximum permissible operating pressure in bar for SISTO-16 valve with TFM diaphragm

Minimum required control pressure: 5.5 bar / maximum permissible control pressure: 7 bar

Table 43: Symbols key

Symbol	Description
↑	Select smaller actuator.
↓	Select larger actuator.

Table 44: Operating pressure [bar] for actuator function air-to-open/air-to-close (AZ)

Actuator size	Stroke [mm]	MD ³⁷⁾ 40	MD 65	MD 92	MD 115	MD 168
LAP.520 AZ K40	7	7	↓	↓	↓	↓
LAP.520 AZ K50	7	16	↓	↓	↓	↓
LAP.520 AZ K63	13	↑	4	↓	↓	↓
LAP.520 AZ K80	13	↑	12	↓	↓	↓
LAP.520 AZ K80	21	↑	↑	2	↓	↓
LAP.520 AZ K100	21	↑	↑	9	↓	↓
LAP.520 AZ K100	24	↑	↑	↑	2	↓
LAP.520 AZ K160	24	↑	↑	↑	11	↓
LAP.520 AZ K160	45	↑	↑	↑	↑	4
LAP.520 AZ K200	45	↑	↑	↑	↑	10

Table 45: Operating pressure [bar] for actuator function spring-to-open/air-to-close (OF)

Actuator size	Stroke [mm]	MD ³⁷⁾ 40	MD 65	MD 92	MD 115	MD 168
LAP.520 OF K40	7	-	↓	↓	↓	↓
LAP.520 OF K50	7	16	↓	↓	↓	↓
LAP.520 OF K63	13	↑	-	↓	↓	↓
LAP.520 OF K80	13	↑	10	↓	↓	↓
LAP.520 OF K80	21	↑	↑	-	↓	↓
LAP.520 OF K100	21	↑	↑	6	↓	↓
LAP.520 OF K100	24	↑	↑	↑	-	↓
LAP.520 OF K160	24	↑	↑	↑	10	↓
LAP.520 OF K160	45	↑	↑	↑	↑	3
LAP.520 OF K200	45	↑	↑	↑	↑	9

Table 46: Operating pressure [bar] for actuator function air-to-open/spring-to-close (SF)

Actuator size	Stroke [mm]	MD ³⁷⁾ 40	MD 65	MD 92	MD 115	MD 168
LAP.520 SF K40	7	↓	↓	↓	↓	↓
LAP.520 SF K50	7	8	↓	↓	↓	↓
LAP.520 SF K63	7	16	↓	↓	↓	↓
LAP.520 SF K63	13	↑	↓	↓	↓	↓
LAP.520 SF K80	13	↑	8	↓	↓	↓
LAP.520 SF K80	21	↑	↓	↓	↓	↓
LAP.520 SF K100	13	↑	16	↓	↓	↓
LAP.520 SF K100	21	↑	↑	4	↓	↓
LAP.520 SF K100	24	↑	↑	↓	↓	↓
LAP.520 SF K160	21	↑	↑	16	↓	↓
LAP.520 SF K160	24	↑	↑	↑	6	↓
LAP.520 SF K160	45	↑	↑	↑	↑	↓
LAP.520 SF K200	45	↑	↑	↑	↑	4

Other selection options on request

³⁷ MD = diaphragm diameter



SISTO Armaturen S.A.
18, rue Martin Maas • L-6468 Echternach
Tel.: +352 325085-1 • Fax: +352 328956
E-Mail: sisto@ksb.com
www.sisto.lu

A KSB Company • 